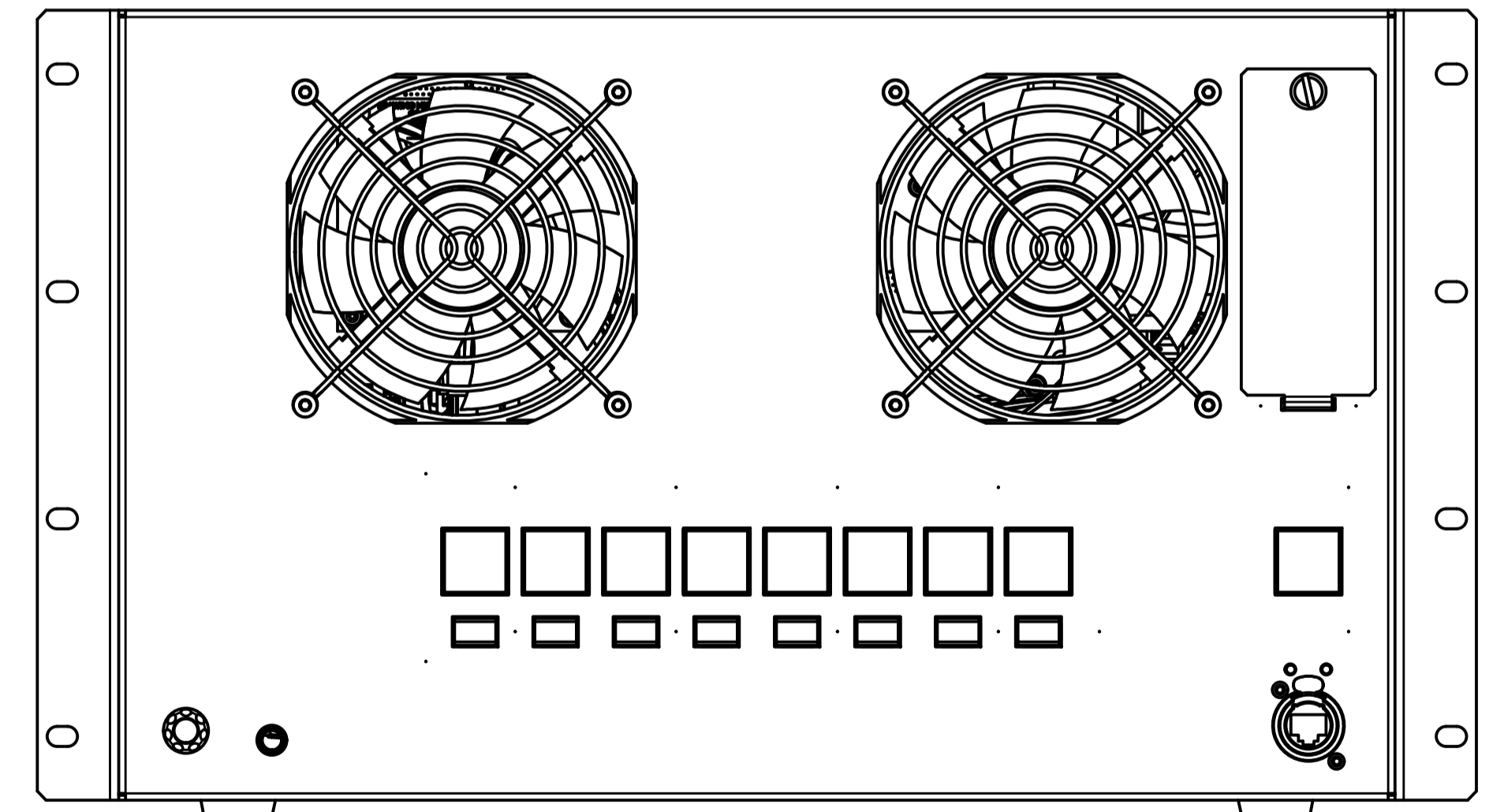
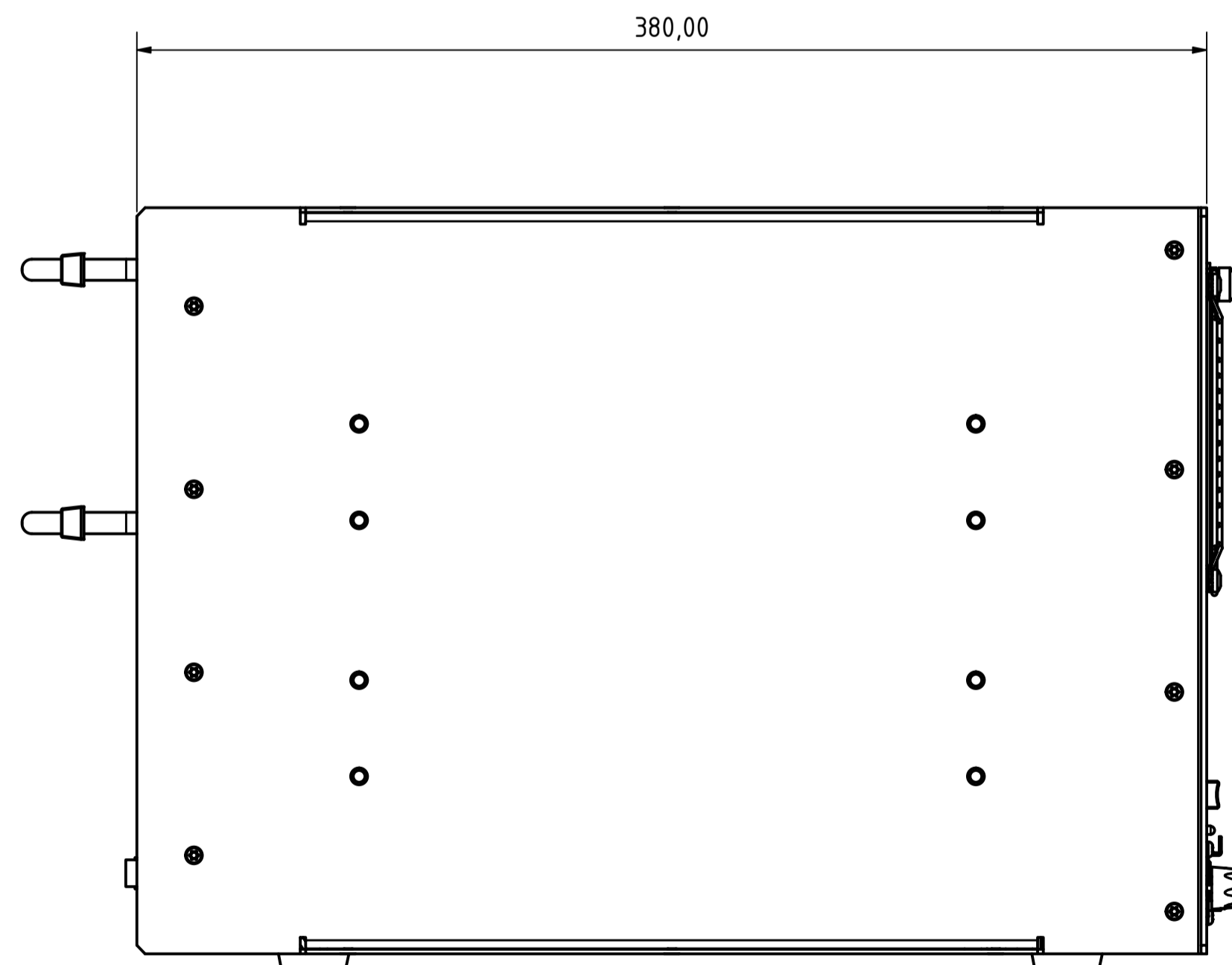
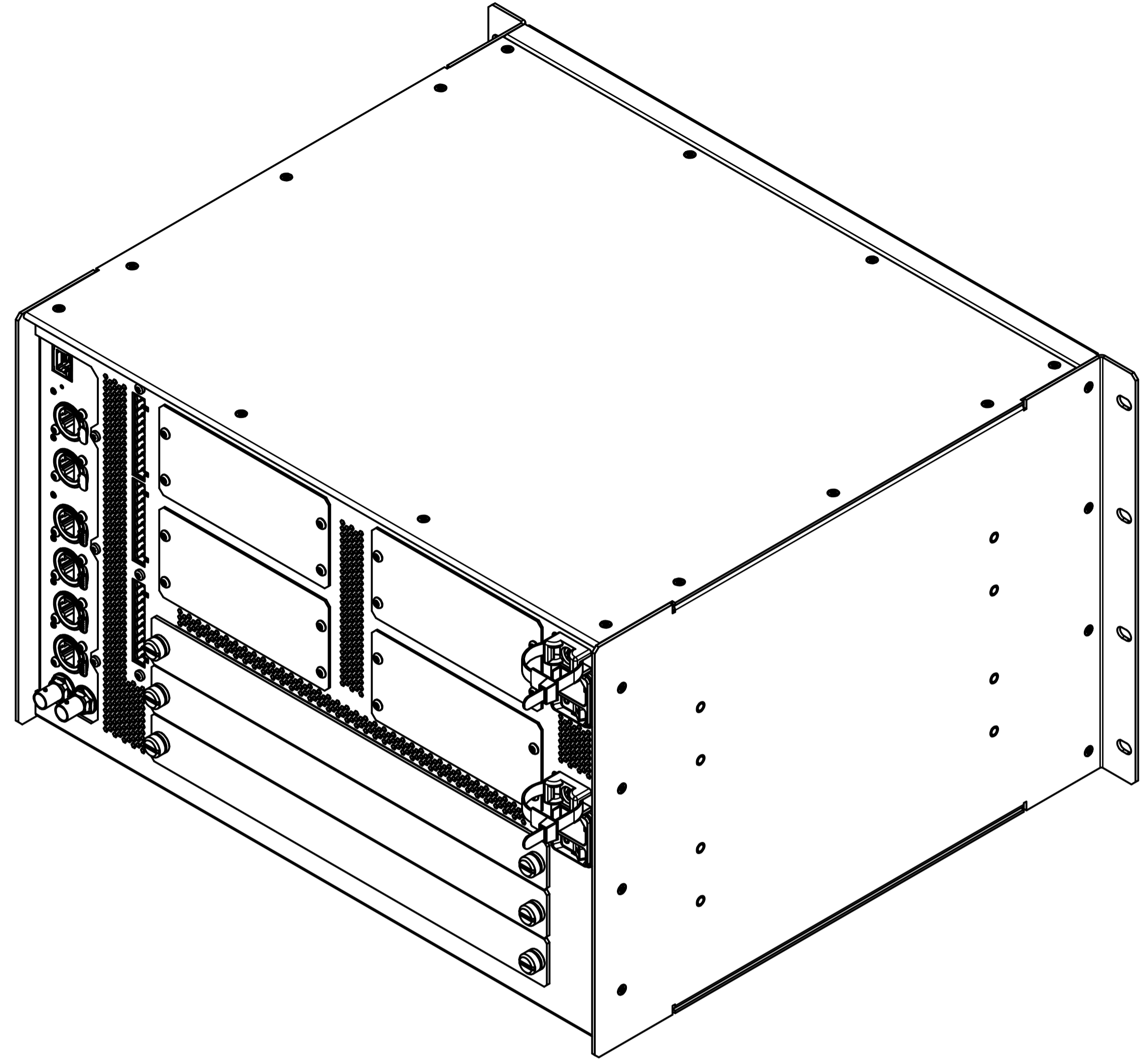
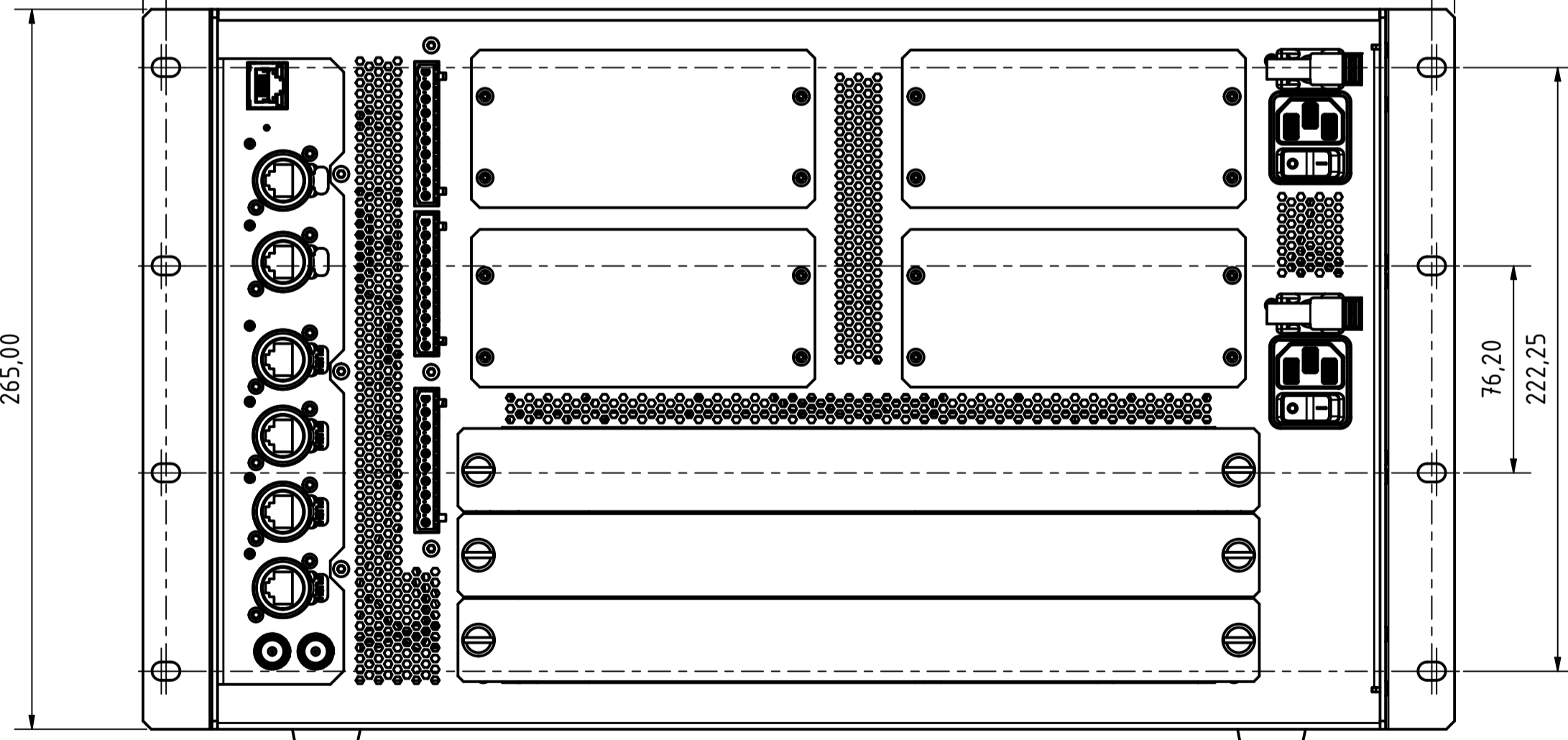
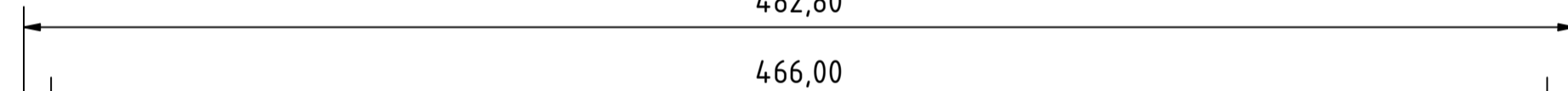
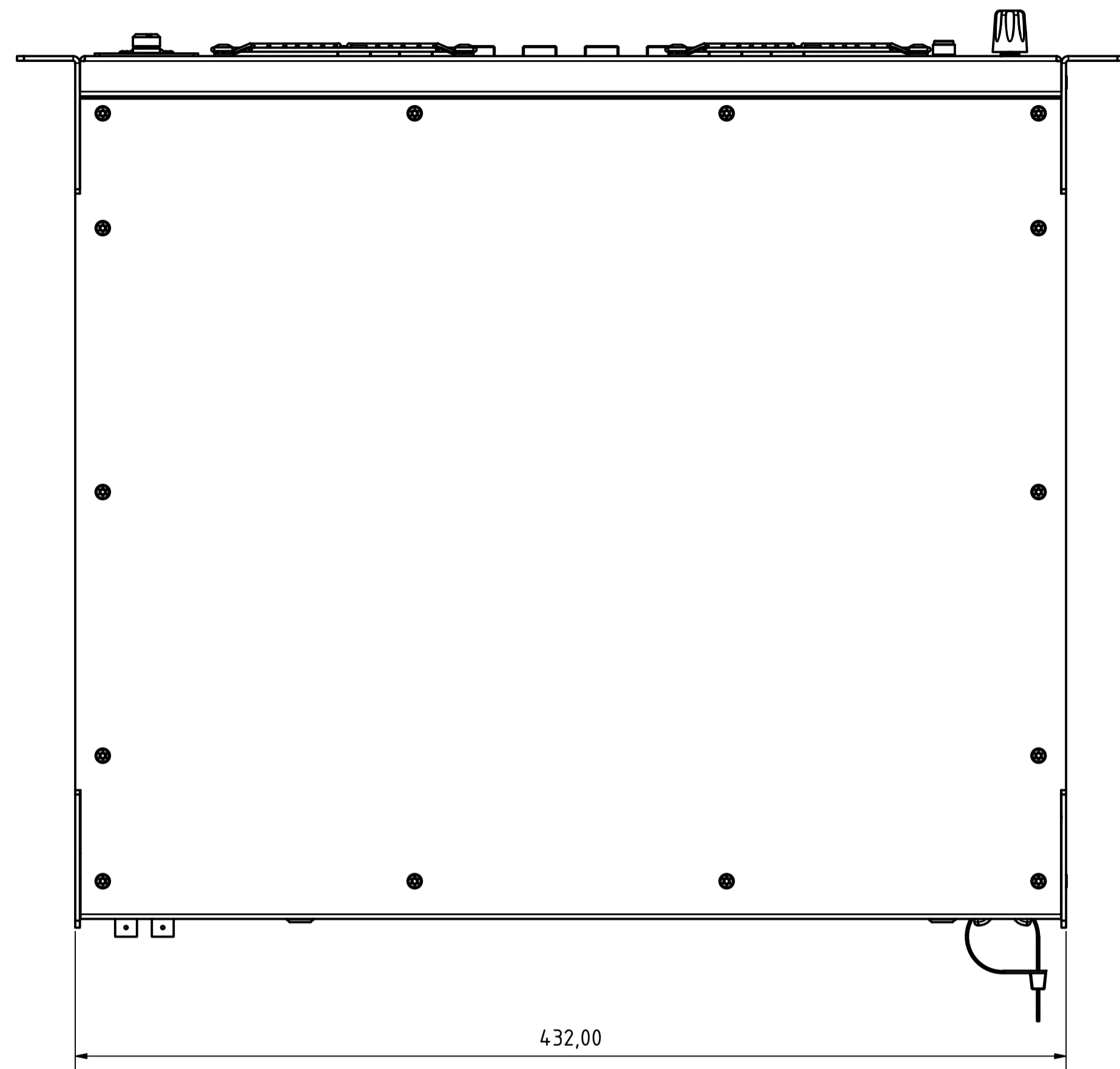


REVISION HISTORY						
ZONE	REV	DESCRIPTION	DATE	DCN/ECN/PRN	MOD RECORD	MOD RECORD DATE
	1	PRODUCTION RELEASE	22/05/2018			
	2	ADDITIONAL DIMENSION ADDED TO DRAWING	18/12/2018			



- OUTLINE DRAWING NOTES
- THIS IS UNCONTROLLED DOCUMENT.
 - DIMENSION CORRECT AT TIME OF PUBLICATION.
 - GRAPHICAL DETAILS REPRESENTATIVE ONLY.

DESIGN STATE Released	IF IN DOUBT ASK! DO NOT SCALE	WEB LINK COMPANY: DIGICO	PART INTERFACES WITH:
STATUS PRODUCTION	INSPECTION	DIGICO STOCK NUMBER:	DRAWN BY: R. Jowitz
MFG APP. BY	MFG APP. DATE	ENG APP. DATE	DATE: 02/01/2018
SUBJECT ASSEMBLY		DWG FILE NUMBER:	FINISH REF:
CATEGORY		CHECKED:	FINISH DESCRIPTION N/A
UNLESS STATED DIMENSIONS IN MILLIMETERS		DATE:	TITLE: OUTLINE DRAWING 4REA 4 MAIN ASSEMBLY OUTLINE
TOLERANCES UNLESS STATED		FIRST USED ON:	MOD RECORD
DIMENSION		15-00082	EST MASS: N/A
NO DIMENSION		DATE:	SCALE: 1:2
ONE DECIMAL = ±0,25		PRODUCT:	
TWO DECIMAL = ±0,10		4REA 4	
ANGULAR ±30°		ABOVE ±0,25 AS STATED	
LIMITS APPLY AFTER FINISHING UNLESS		PART NUMBER:	
STATED OTHERWISE		188-00083	
MACHINED WHERE MARKED THUS: ✓		DEVELOPMENT CODE:	
REMOVE ALL BURRS AND SHARP EDGES		INSTALL	