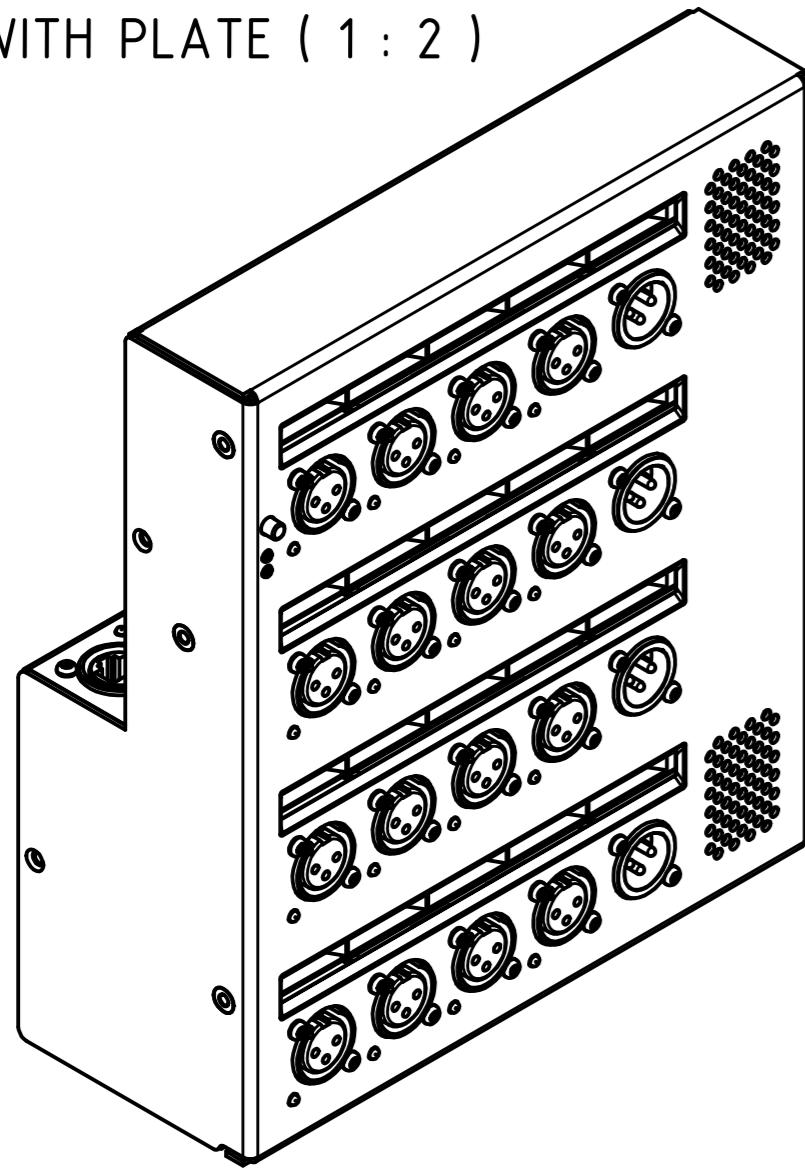


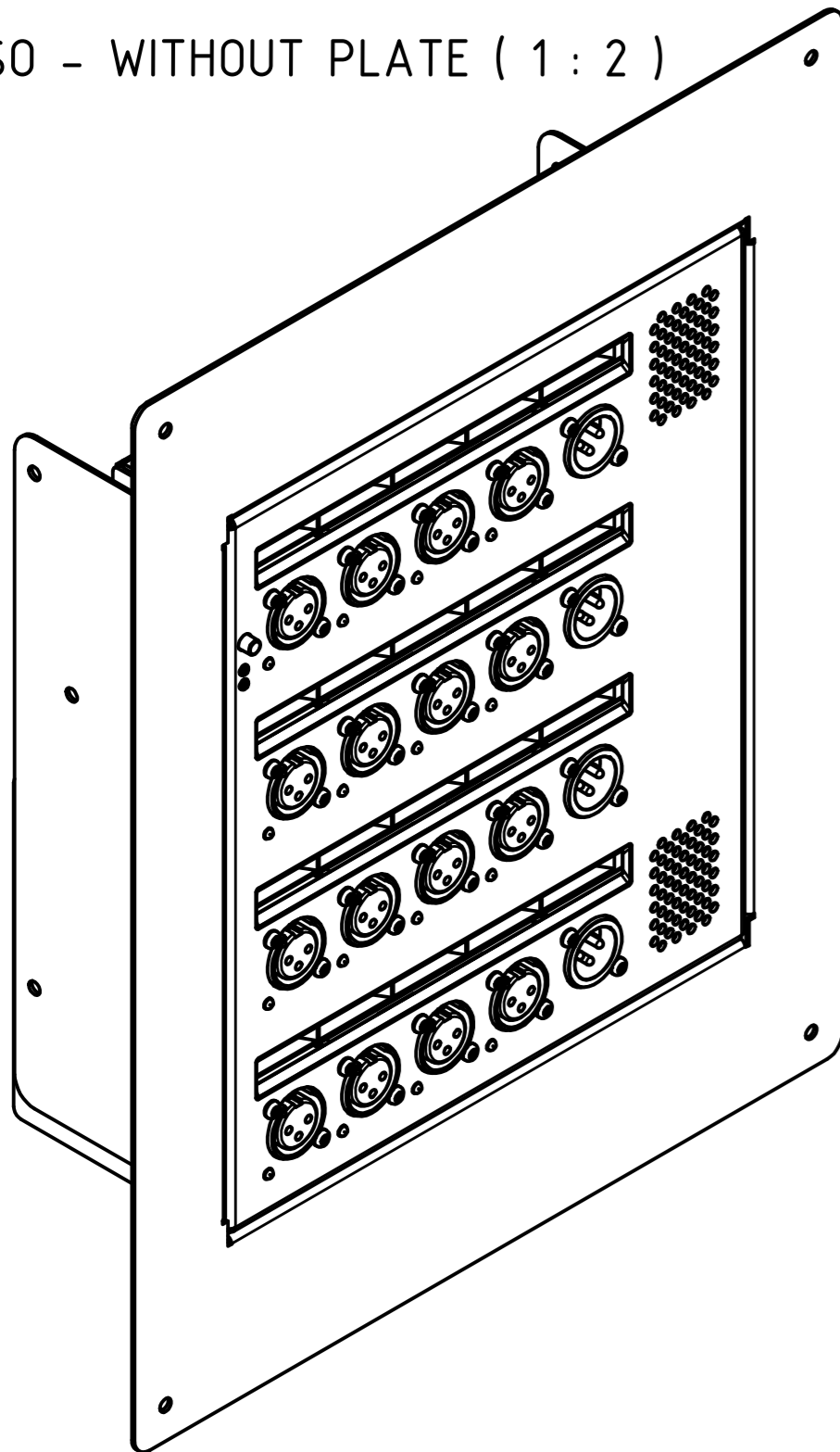
REVISION HISTORY

ZONE	REV	DESCRIPTION	DATE	DCN/ECN/PRN	MOD RECORD	MOD RECORD DATE
	A	NEW DRAWING	04/01/2018			
	1	ADDITIONAL VIEWS OF MOUNTING PLATE ADDED	16/04/2019			

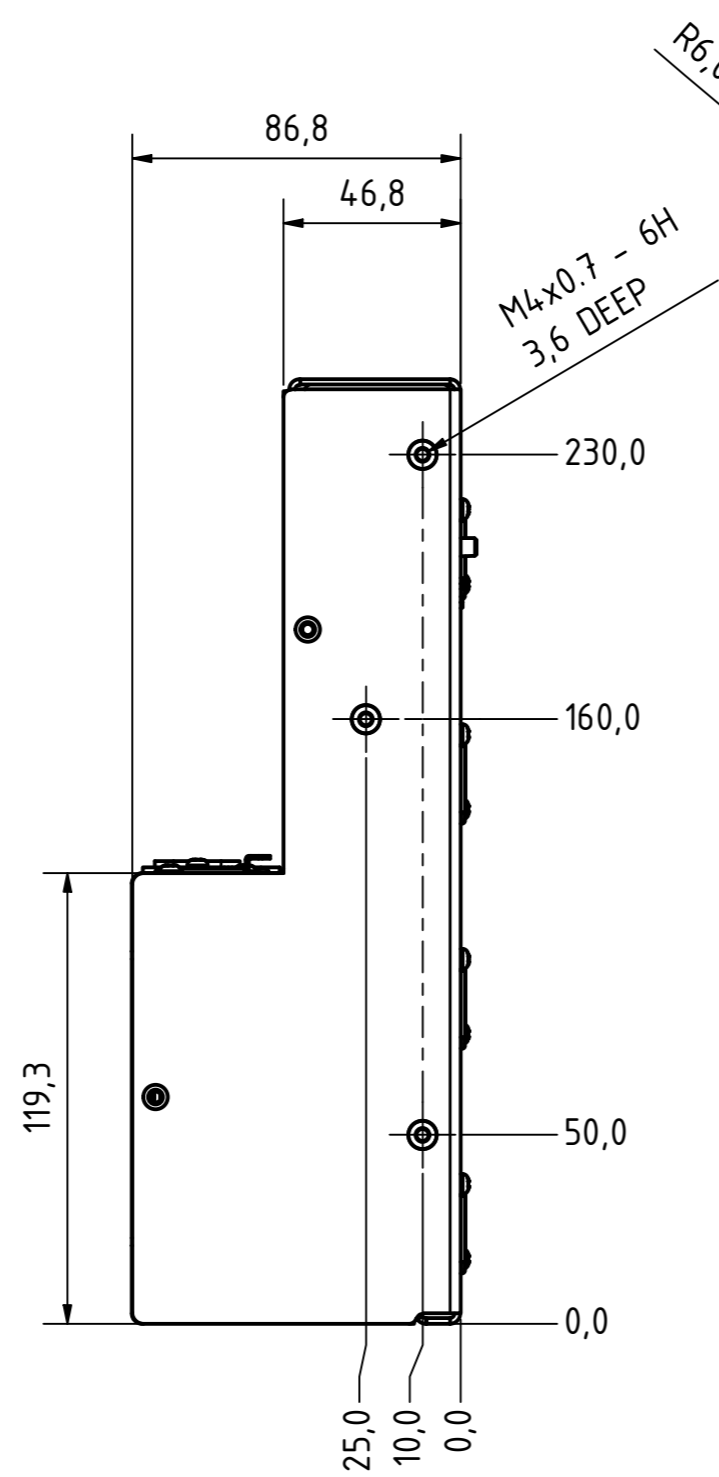
ISO - WITH PLATE (1 : 2)



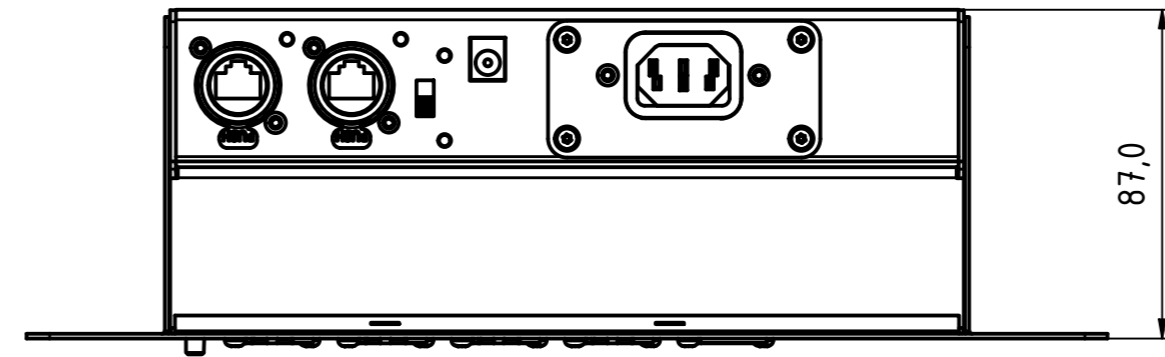
ISO - WITHOUT PLATE (1 : 2)



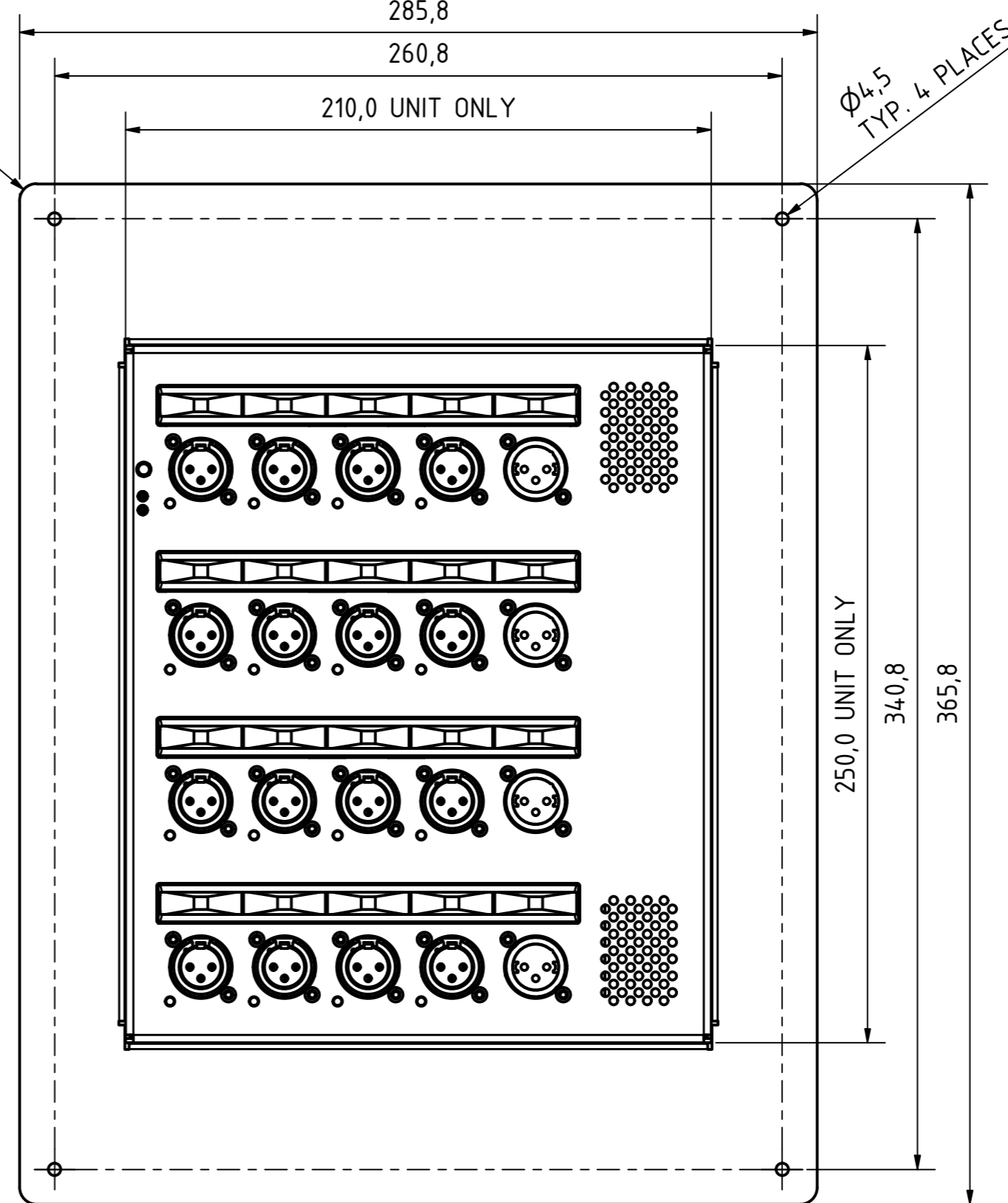
SIDE - WITHOUT PLATE (1 : 2)



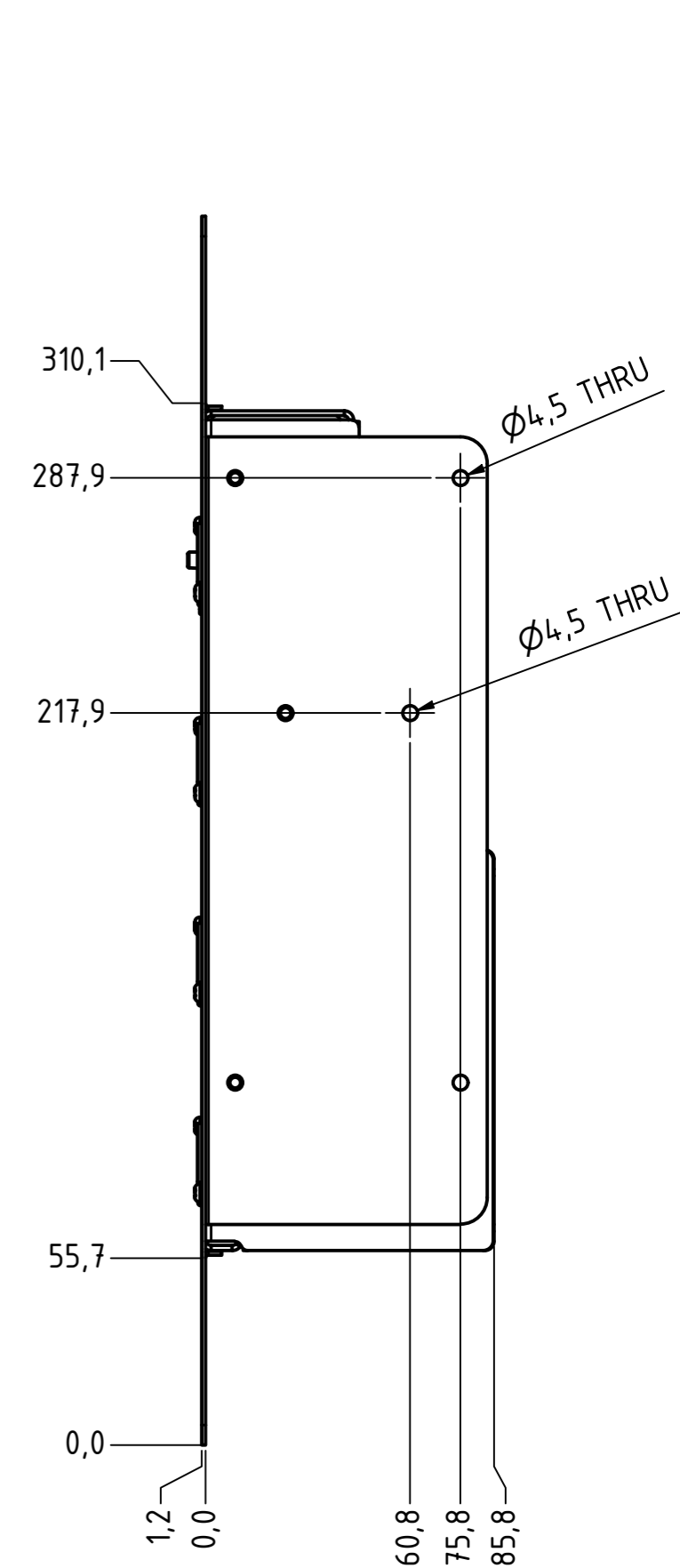
TOP (1 : 2)



FRONT (1 : 2)



SIDE - WITH PLATE (1 : 2)



- OUTLINE DRAWING NOTES
1. THIS IS UNCONTROLLED DOCUMENT.
 2. DIMENSION CORRECT AT TIME OF PUBLICATION.
 3. GRAPHICAL DETAILS RERESENTIVE ONLY.

DESIGN STATE Released	IF IN DOUBT ASK! DO NOT SCALE	WEB LINK: COMPANY: DIGICO	PART INTERFACES WITH:	
STATUS: PRODUCTION	INSPECTION	DIGICO STOCK NUMBER:	DRAWN BY: R. Jowitt	MATERIAL REF:
MFG. APP. BY	MFG. APP. DATE	ENG. APP. BY	ENG. APP. DATE	DWG FILE NUMBER:
SUBJECT ASSEMBLY CATEGORY		DATE: 04/01/2018	FINISH REF:	FINISH DESCRIPTION
DIGICO SOLUTIONS® SOUNDTRACS® DIGiGrid® www.digiconssoles.com		UNLESS STATED DIMENSIONS IN MILLIMETERS TOLERANCES UNLESS STATED	TITLE: OUTLINE DRAWING A164 WALL LCD MAIN ASSEMBLY OUTLINE	
DIMENSION NO DECIMAL +0.50 ONE DECIMAL +0.20 TWO DECIMAL +0.10		HOLES UP TO Ø10 +0.10 Ø 6 TO 12 +0.20 Ø 12 TO 24 +0.30 ABOVE Ø 24 AS STATED	PRODUCT: A164 WALL LCD	MOD RECORD
LIMITS APPLY AFTER FINISHING, UNLESS STATED OTHERWISE		REMOVE ALL BURRS AND SHARP EDGES	PART NUMBER: 188-00090	EST MASS: N/A
MACHINED WHERE MARKED THUS: ✓			DEVELOPMENT CODE: INSTALL	SCALE: 1 : 2
			DRAWING NUMBER: A2 OL 188-00090 1	SHEET 1