

A164 WALL LCD

The A164 WALL LCD is a fixed installation I/O Expander for the DiGiCo 4REA4 system. It provides 16 remote controlled mic/line preamps and 4 XLR line outputs. It connects to the 4REA4 over a single Cat5 cable.

A second A164 WALL LCD or an A168 Stage can be connected when running in Cascade mode. Alternatively, a redundant connection can be made to compatible hardware.

The A164 WALL LCD can be operated freestanding, mounted in a floor pocket, mounted on a wall, or flush mounted in a wall. Different power options are provided to suit the application.

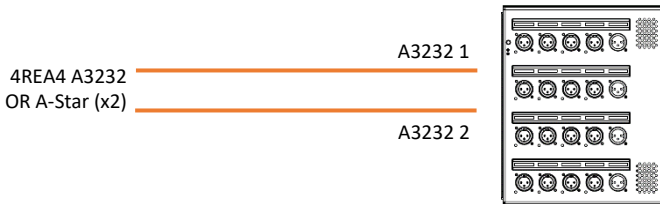
⚠ This product must be installed by a professional installer or qualified electrician.

Contents

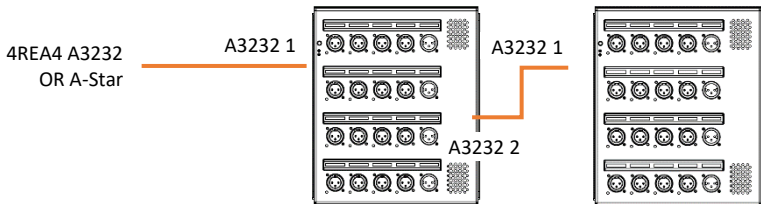
Check that you have received the following with your A164 WALL LCD unit:

- Optional gland module (004-1097) for permanent ac mains wiring installation.
- Mounting frame (AA11529) for in-wall or wall surface mounting.
- 6 x M4 T20 screws (AB11238) for mounting A164W unit to mounting frame (AA11529).

Connection

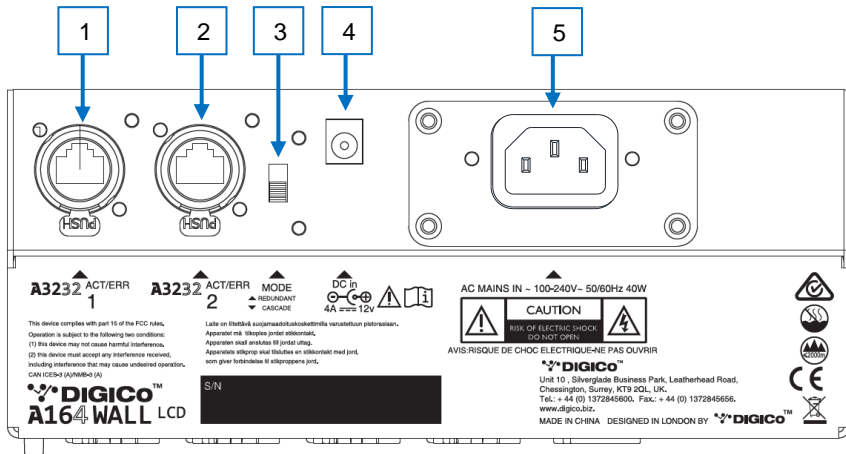


Redundant mode – to compatible hardware only



Cascade mode – add second A164 WALL LCD or A168 Stage

Top panel and power options



1 **A3232 1** - EtherCon port for connection to the mixing system. The cable carries the audio signals as well as preamp control and system status data.

2 **A3232 2** - EtherCon port for daisy chaining of a second unit or cable redundancy.

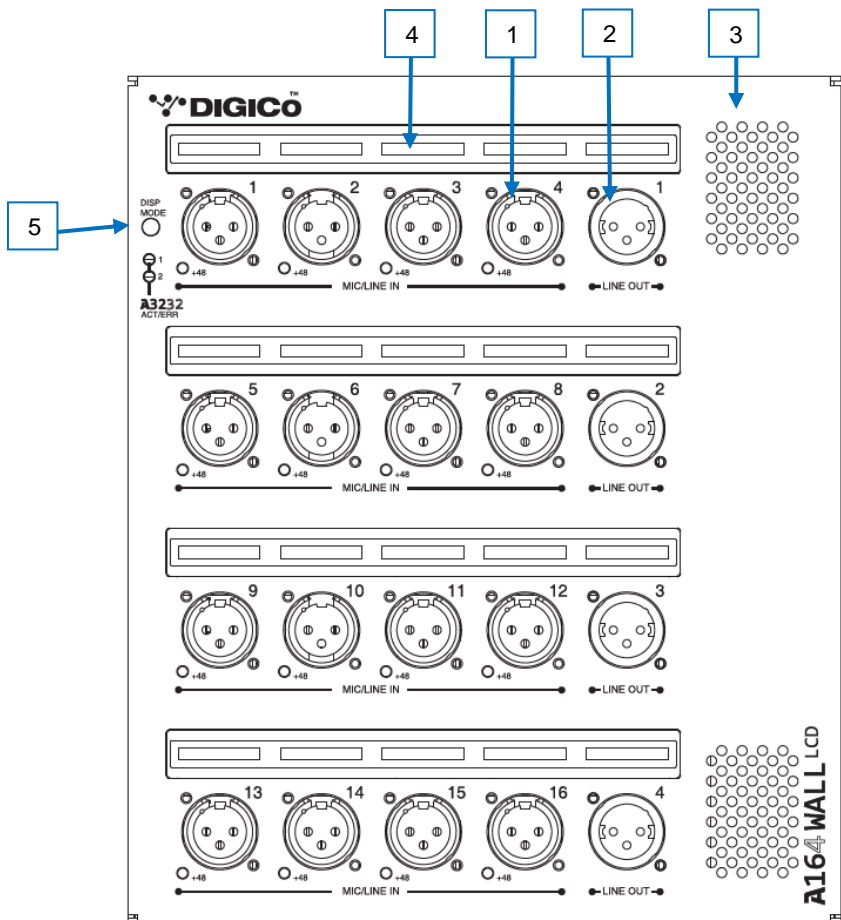
3 **A3232 2 mode switch** - Switch to **Redundant** for 2 cable connection to compatible hardware e.g. 4REA4 or AStar (x2). Switch to **Cascade** for connection to a second A164 WALL LCD or A168 Stage unit.

4 **DC 12V Input** - Can be used instead of AC mains to power the unit where adequate DC distribution is provided in a building. Can also be used as a backup power supply in case of mains failure.

5 **Mains power input** - The built-in universal PSU accepts voltages from 100 to 240V AC 50/60Hz. A module with IEC inlet is fitted by default. An optional module is provided for permanent installation, with knockout holes to accept a cable gland.

⚠ Replacement of the IEC ac inlet module and mains wiring for permanent installation must be performed by a qualified electrician. See instructions later in this guide.

Front panel



1

Input sockets - Balanced XLR mic/line inputs with +48V Phantom Power indicator. The preamps are built into the A164 WALL LCD and their Gain, Pad and +48V are controlled from the 4REA4 via the A3232 port.

The +48V indicator detects voltage at the socket whether supplied by the A164 WALL LCD or received from an external source.

2

Output sockets - Balanced XLR outputs operating at nominal +4dBu level.

3

Vents - Ensure good ventilation at the front of the unit. Avoid obstruction of vents while operating. Avoid dirt or liquid ingress

4

LCD Displays – Display illuminated socket names or channel assignment – default state is not illuminated. Illumination is switched off automatically after a pre-determined timeout period.

5

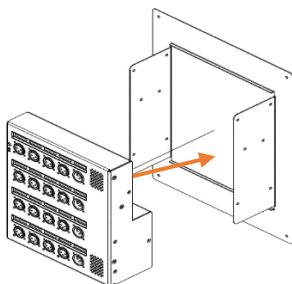
Display Mode Switch – Press once to illuminate displays, press again to change the display mode from socket names to colour coded channel assignment. Each subsequent press toggles the mode.

Installation – mounting

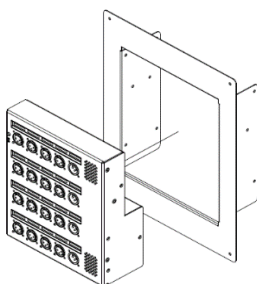
WARNING

To prevent injury, this apparatus must be securely attached to the floor/wall in accordance with the installation instructions.

Mounting on a wall - Use the mounting frame AA11529 in the orientation shown below. Fix the frame to the wall using appropriate fixings or screws for the type of wall, then align the threaded inserts on the sides of the A164 WALL LCD with the frame and secure the unit in place with the 6 x M4 T20 screws (AB11238) provided.



Flush mounting in a wall - Use the mounting frame AA11529 in the orientation shown below. Align the threaded inserts on the sides of the A164 WALL LCD with the frame and secure the unit in place with the 6 x M4 T20 screws provided. Connect the power and Cat5 cable/s, then fix the assembly to the wall using appropriate fixings or screws for the type of wall.



Mounting in a box - The A164 WALL LCD will fit a suitably sized standard IP10/NEMA Type 1 metal box or equivalent.

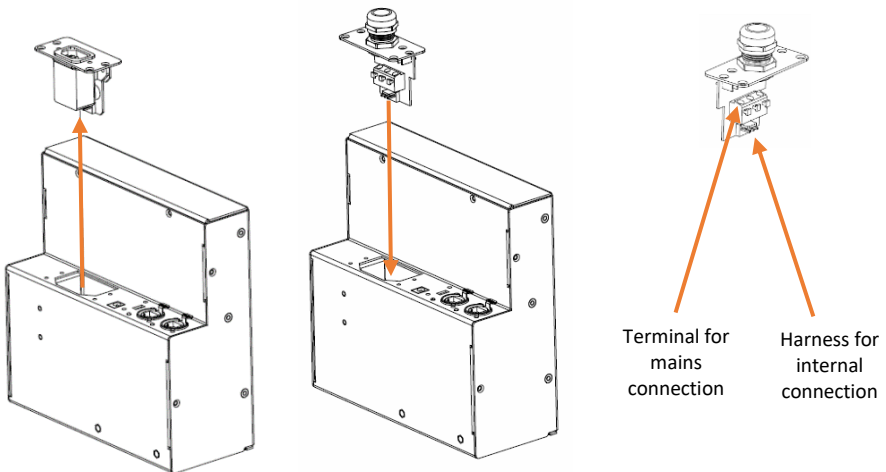
Floor box / stage pocket / dip trap - The A164Wall LCD must be mounted in accordance with local installation and wiring regulations.

Permanent wiring installation with the cable gland module

⚠ Replacement of the IEC ac inlet module and mains wiring for permanent installation must be performed by a qualified electrician and carried out in accordance with local wiring regulations.

To replace the IEC module:

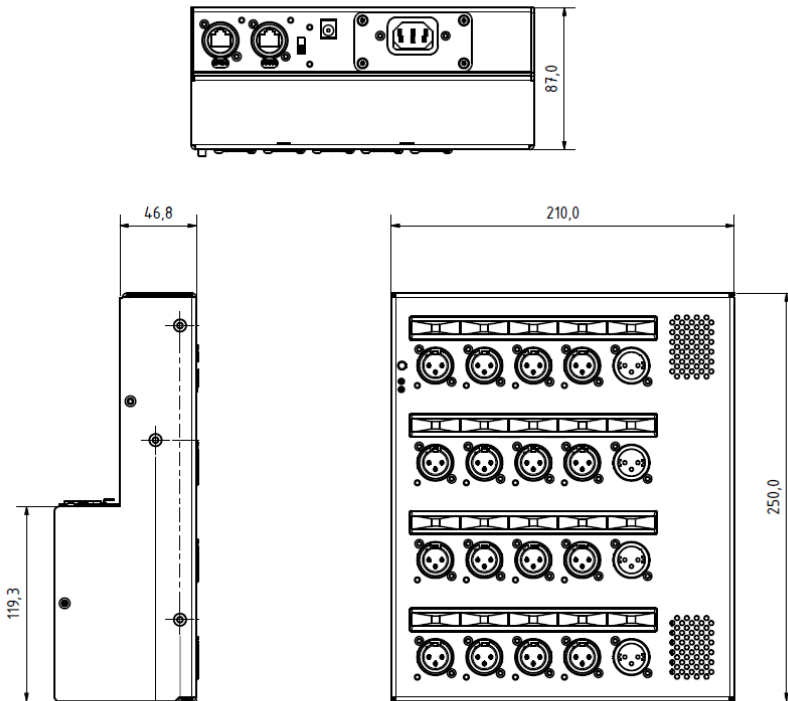
- Remove the 4 screws using a Torx® T8 driver.
- Pull out the module and unplug the internal harness at the bottom of the assembly.
- Fit a suitable cable gland or grommet appropriate to the cable wire size to the gland module plate.
- Run the mains cable through the gland. Minimum cable size 0.75mm² or 20AWG.
- Wire the mains cable to the terminal connector on the gland module, paying attention to polarity and earth grounding as indicated on the module.
- Securely tighten the cable gland around the cable.
- Re-plug the internal harness into the bottom of the gland module.
- Secure the module to the unit with the 4 x T8 screws.



⚠ POWER DISCONNECTION

The mains supply disconnect device is the installation all pole circuit breaker or the switched fused outlet which must be labelled and must be accessible so as to be readily operable when the appliance is in use.

Dimensions



Specification

Mic/Line XLR Inputs	Balanced XLR, +48V phantom power
Mic/Line Preamp	Fully recallable
Analogue Gain	+5 to +60dB, 1dB steps
Pad	-20dB Active PAD
Maximum Input Level	+30dBu (PAD in)
Input Impedance	>4k Ω (Pad out), >10k Ω (Pad in)
Mic EIN	-127dB with 150 Ω source
Analogue XLR Outputs	Balanced, Relay protected
Output Impedance	<75 Ω
Nominal Output	+4dBu = 0dB meter reading
Maximum Output Level	+22dBu
Residual Output Noise	-93dBu (22Hz-22kHz)
Operating Temperature Range	0°C to 35°C (32°F to 95°F)
Power	
Mains Voltage Range	Operating 100-240V AC, 50/60Hz
Mains Power Consumption	35W max
DC Input	12V DC, 3A max
Dimensions and Weight	Width x Depth x Height x Weight
A164 WALL LCD	210 x 87 x 250 mm x 3.5kg (8.27 x 3.43 x 9.84 inches x 7.7 lbs)

Read the Safety Instructions Sheet included with the product and the information printed on the panel before operating.

A limited one year manufacturer's warranty applies to this product, the conditions of which can be found at: <http://www.digico.biz/docs/about/legal.shtml>

By using this DiGiCo product and the software within it you agree to be bound by the terms of the relevant End User Licence Agreement (EULA), a copy of which can be found at: <http://www.digico.biz/docs/about/legal.shtml>

Check the DiGiCo website for the latest documentation and software updates



Copyright © 2018 DiGiCo (UK) Ltd. All rights reserved