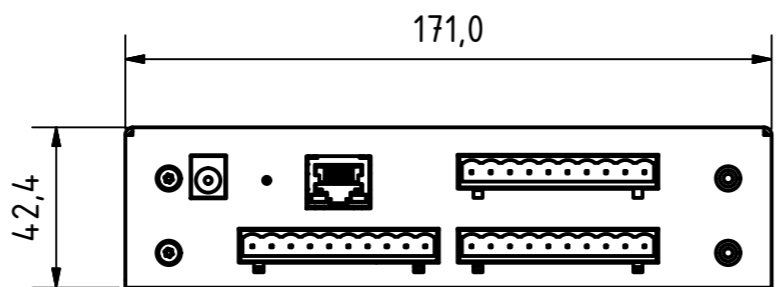
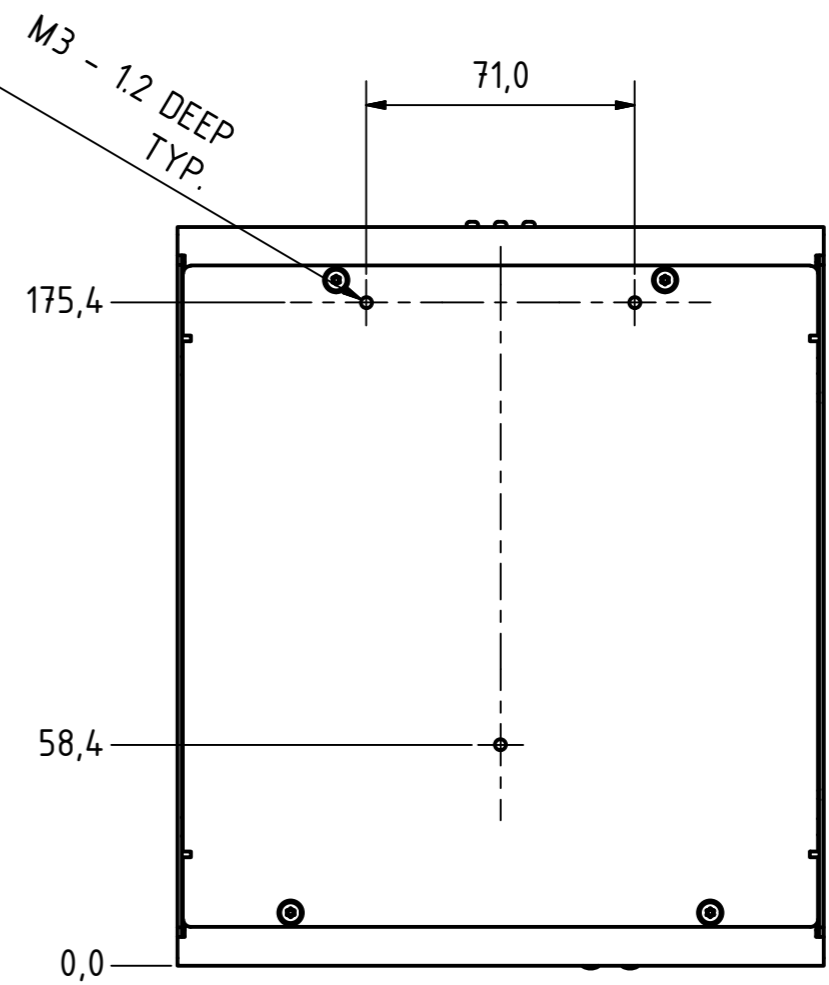
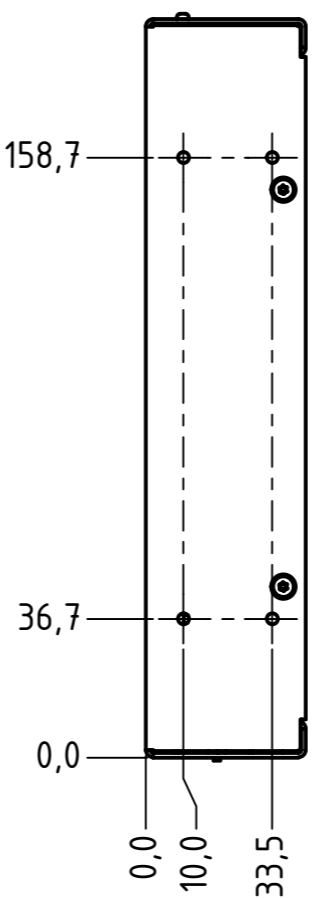
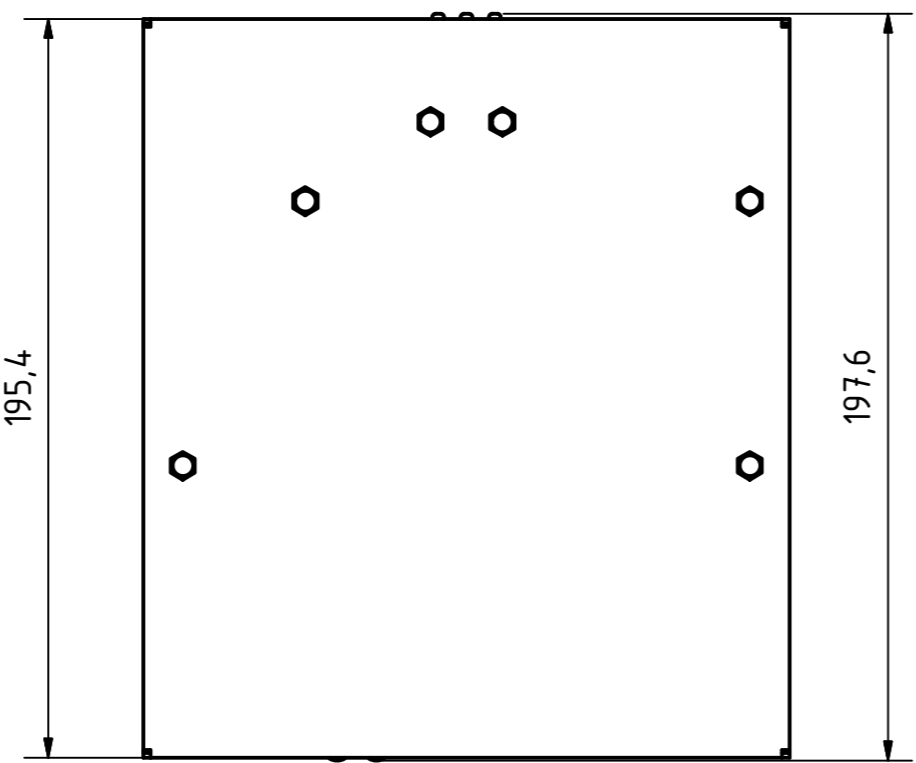
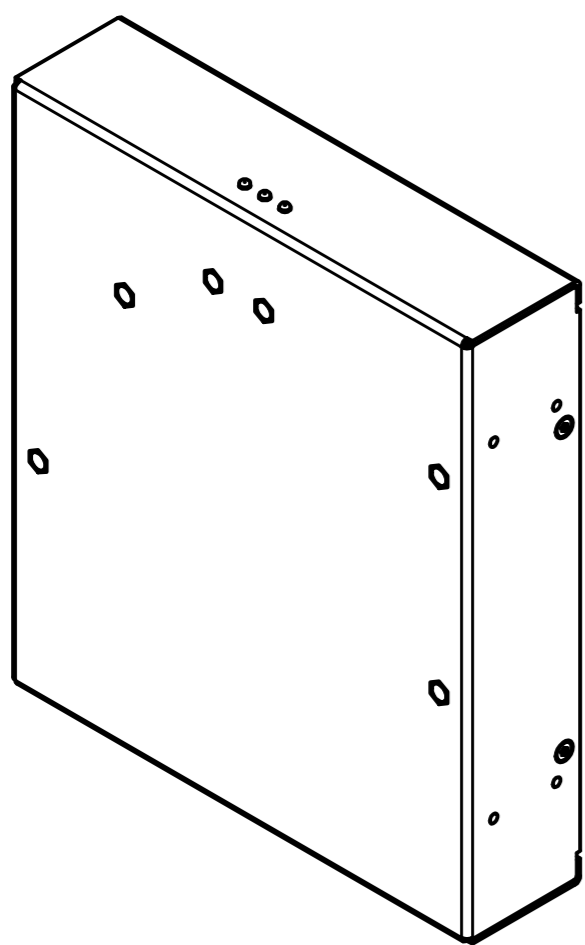
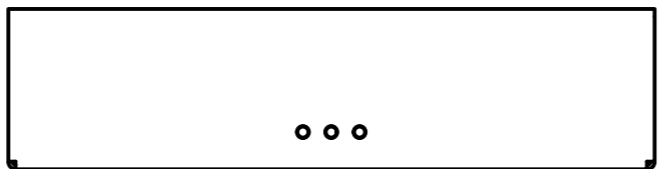


REVISION HISTORY						
ZONE	REV	DESCRIPTION	DATE	DCN/ECN/PRN	MOD RECORD	MOD RECORD DATE
A		NEW DRAWING	03/01/2018			



OUTLINE DRAWING NOTES
 1. THIS IS UNCONTROLLED DOCUMENT.
 2. DIMENSION CORRECT AT TIME OF PUBLICATION.
 3. GRAPHICAL DETAILS REPRESENTATIVE ONLY.

DESIGN STATE Released	IF IN DOUBT ASK! DO NOT SCALE	WEB LINK: COMPANY: DIGICO	PART INTERFACES WITH:					
STATUS: PROTOTYPE	INSPECTION	DIGICO STOCK NUMBER:	DRAWN BY: R. Jowitt	MATERIAL REF:	MATL. SIZE: N/A	MATERIAL DESCRIPTION: N/A		
MFG. APP. BY	MFG. APP. DATE	ENG. APP. BY	ENG. APP. DATE	DWG FILE NUMBER:	DATE: 03/01/2018	FINISH REF:	FINISH DESCRIPTION N/A	
				SUBJECT ASSEMBLY CATEGORY	CHECKED:	TITLE: OUTLINE DRAWING A88 GPIO MAIN ASSEMBLY OUTLINE		MOD RECORD
<small>UNLESS STATED DIMENSIONS IN MILLIMETERS TOLERANCES UNLESS STATED DIMENSION NO DECIMAL +0.50 UP TO Ø 6 +0.1-0 ONE DECIMAL +0.20 Ø 6 TO 12 +0.2-0 TWO DECIMAL +0.10 Ø 12 TO 24 +0.3-0 ANGULARS +30°</small>				PRODUCT: A88 GPIO	DATE:	FIRST USED ON:		EST MASS: N/A
<small>COPYRIGHT: THIS DRAWING IS THE PROPERTY OF DIGICO (UK) LTD. THE INFORMATION IS CONFIDENTIAL & MAY NOT BE USED WITHOUT THE WRITTEN CONSENT OF DIGICO (UK) LTD. THE CONTENTS OF THIS DRAWING ARE CORRECT AT THE TIME OF PUBLICATION AS AN INNOVATIVE DESIGN MANUFACTURED BY DIGICO (UK) LTD. RESERVES THE RIGHT TO MAKE CHANGES WITHOUT NOTICE AND SOURCE MATERIALS SPECIFICATION AND MARKS. DIGICO AND SOUNDTRACS ARE REGISTERED TRADEMARKS. © 2017 DIGICO</small>				LIMITS APPLY AFTER FINISHING, UNLESS STATED OTHERWISE	PART NUMBER: 188-00088	DRAWING NUMBER: A2 OL	DEVELOPMENT CODE: 188-00088	SCALE: 1 : 2
<small>REMOVE ALL BURRS AND SHARP EDGES</small>				DEVELOPMENT CODE: INSTALL	ISSUE: A	SHEET 1		ISSUE 1