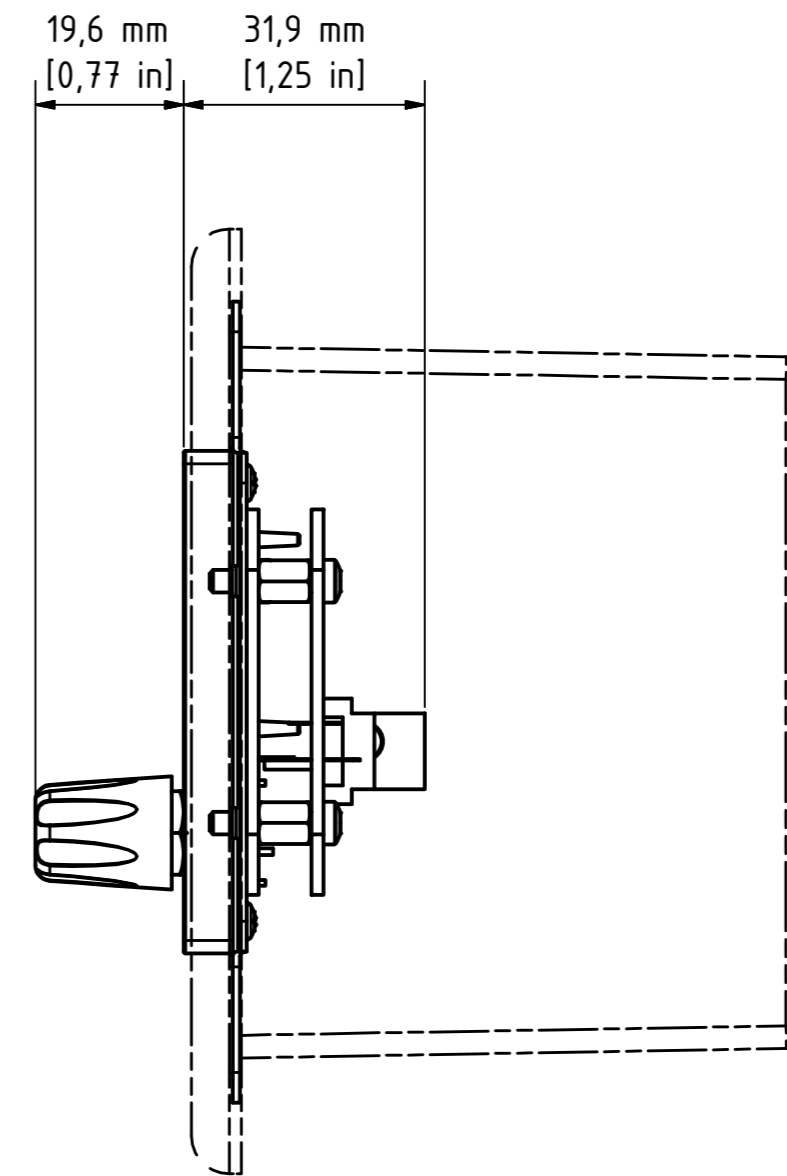
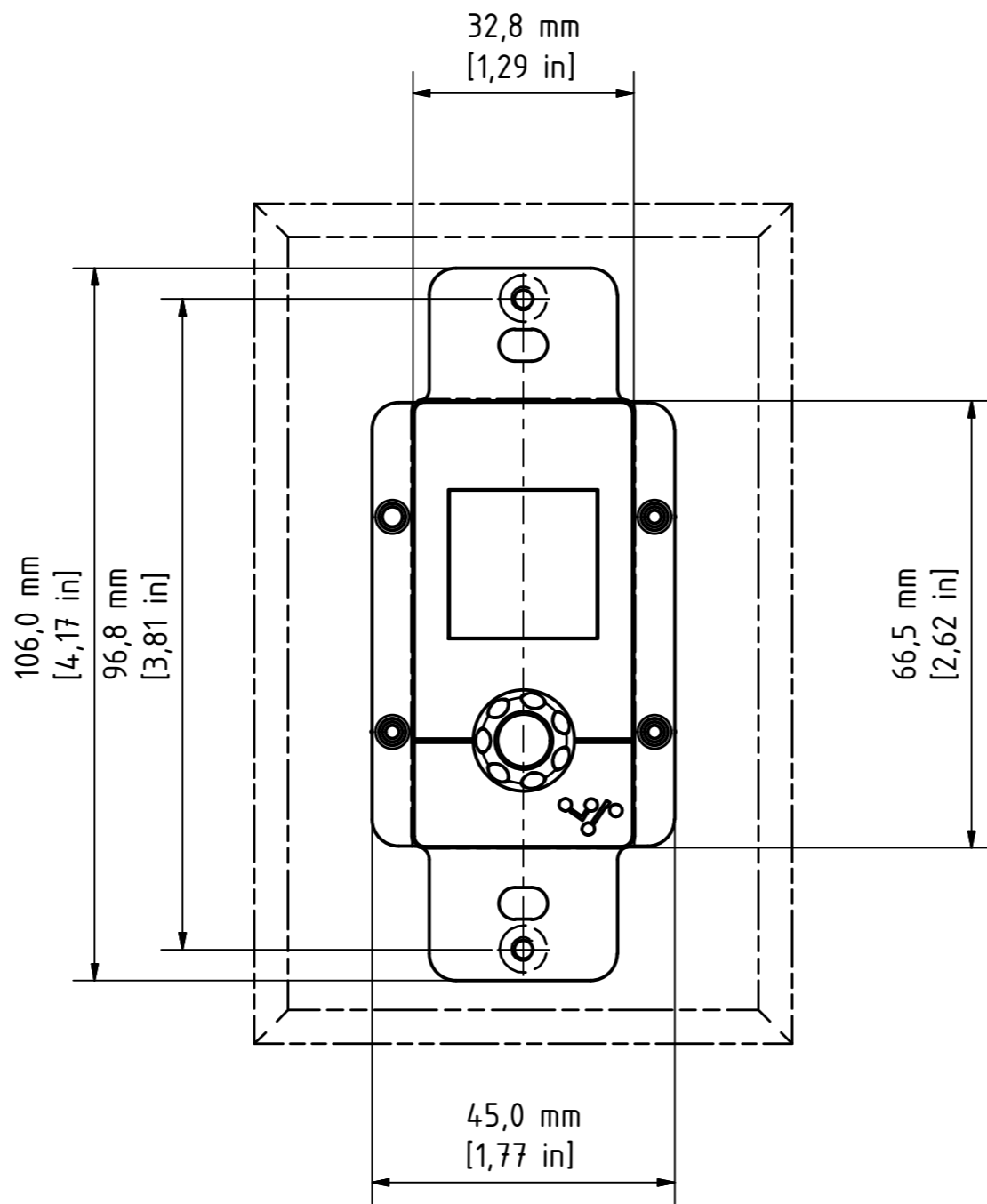
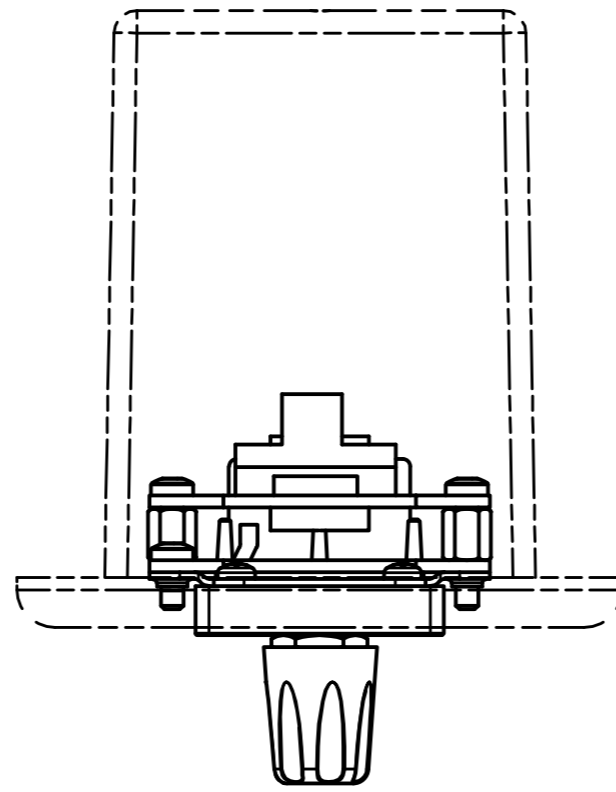
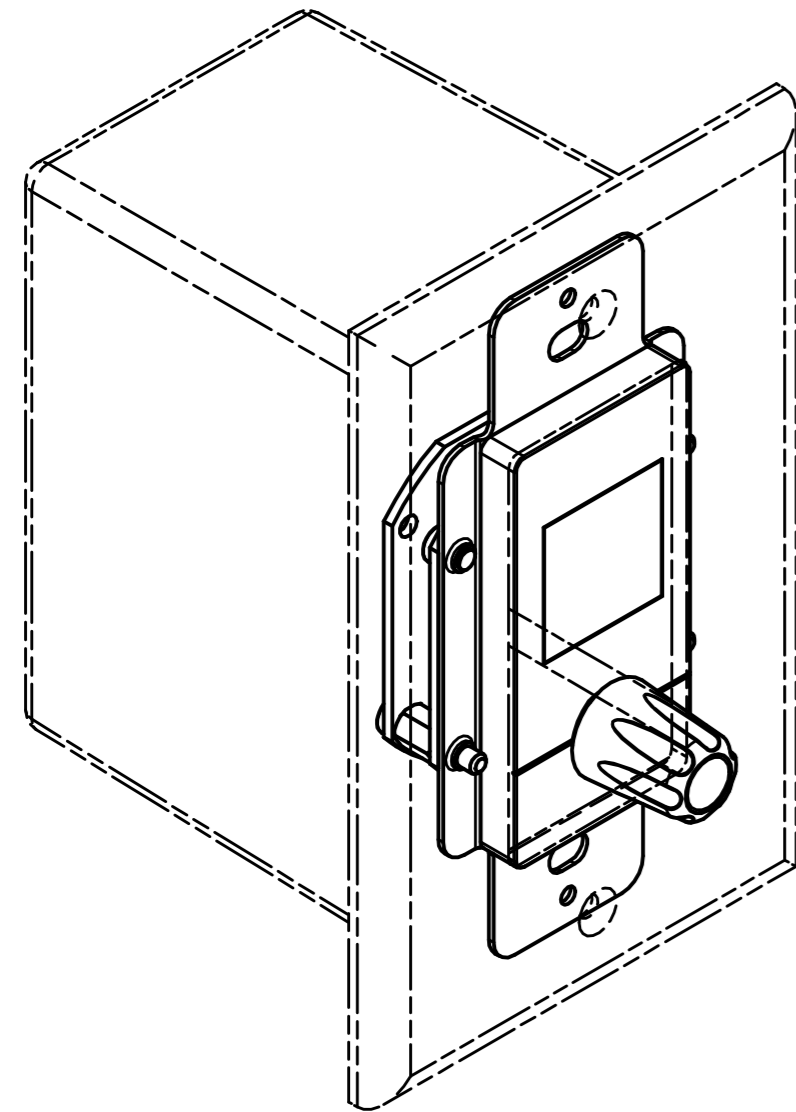


| REVISION HISTORY | | | | | | |
|------------------|-----|-------------|------------|-------------|------------|-----------------|
| ZONE | REV | DESCRIPTION | DATE | DCN/ECN/PRN | MOD RECORD | MOD RECORD DATE |
| A | | NEW DRAWING | 26/06/2018 | | | |



OUTLINE DRAWING NOTES
 1. THIS IS UNCONTROLLED DOCUMENT.
 2. DIMENSION CORRECT AT TIME OF PUBLICATION.
 3. GRAPHICAL DETAILS REPRESENTATIVE ONLY.

| | | | | | |
|--|-----------------|----------------------------------|--|-----------------------------------|------------------------------------|
| DESIGN STATE Released | | IF IN DOUBT ASK! DO NOT SCALE | WEB LINK: COMPANY: | PART INTERFACES WITH: | |
| STATUS: | INSPECTION | DIGICO STOCK NUMBER: | DRAWN BY: R. Jowitt | MATERIAL REF: | MATL. SIZE: N/A |
| MFG. APP. BY: | MFG. APP. DATE: | ENG. APP. BY: | ENG. APP. DATE: | DWG FILE NUMBER: 188-00092.dwg | DATE: 15/03/2018 |
| SUBJECT: | | CHECKED: | FINISH REF: | FINISH DESCRIPTION: N/A | MOD RECORD: N/A |
| CATEGORY: | | DATE: | TITLE: OUTLINE DRAWING ACONTROL 1 US | | EST MASS: N/A |
| UNLESS STATED DIMENSIONS IN MILLIMETERS TOLERANCES UNLESS STATED | | FIRST USED ON: | PRODUCT: ACONTROL 1 | | SCALE: 1 : 1 |
| DIMENSION NO DECIMAL +0.50 ONE DECIMAL +0.20 TWO DECIMAL +0.10 ANGULARS +0.5 | | PRODUCT: ACONTROL 1 | PART NUMBER: 188-00092 | | DRAWING NUMBER: A2 0L 188-00092 |
| LIMITS APPLY AFTER FINISHING, UNLESS STATED OTHERWISE | | DEVELOPMENT CODE: INSTALL | DRAWING NUMBER: A2 0L 188-00092 | | SHEET 1 |
| MACHINED WHERE MARKED THUS: <input checked="" type="checkbox"/> REMOVE ALL BURRS AND SHARP EDGES | | ISSUE | ISSUE | | ISSUE |