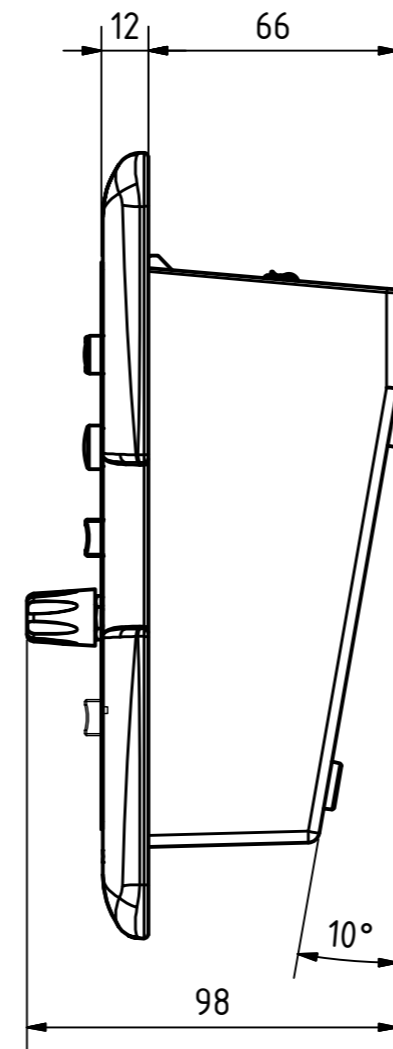
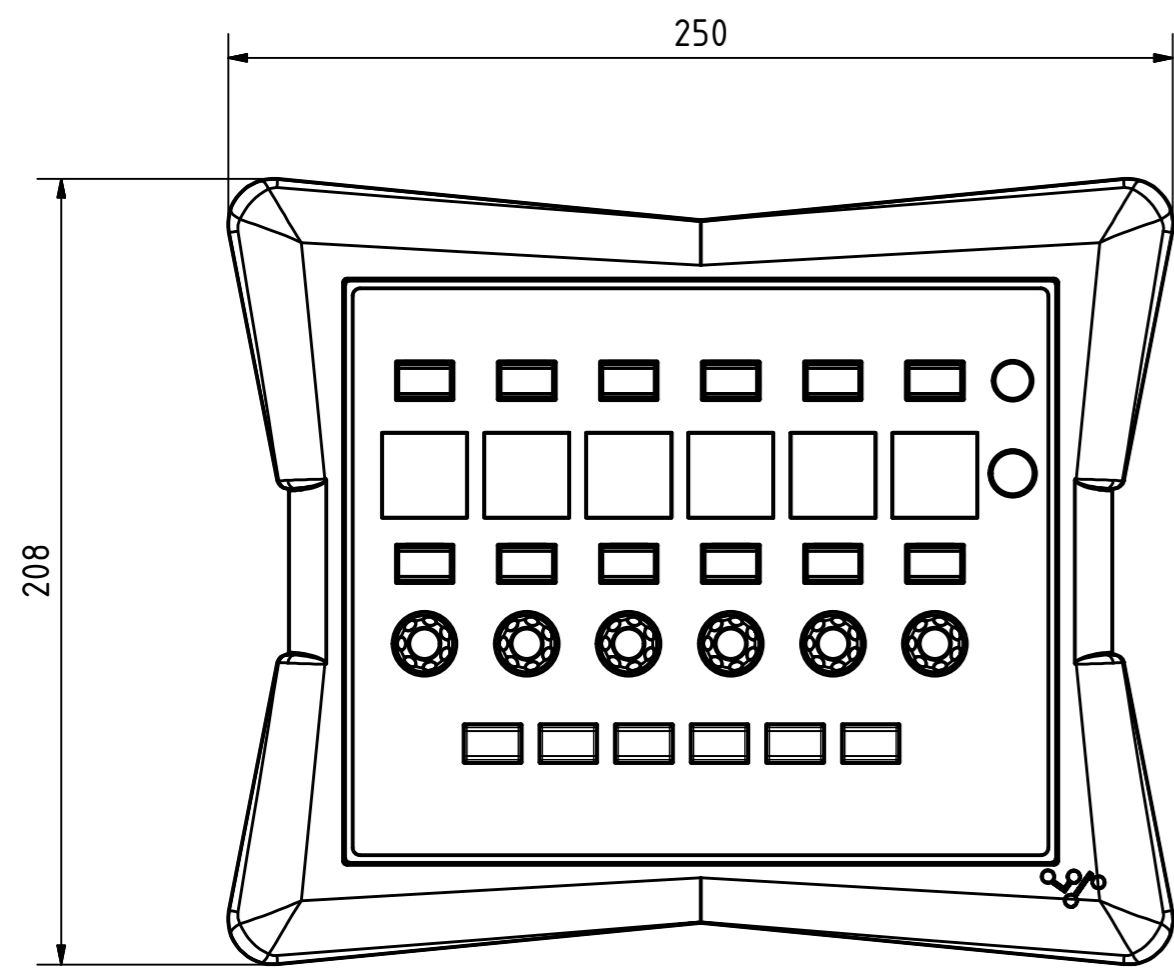
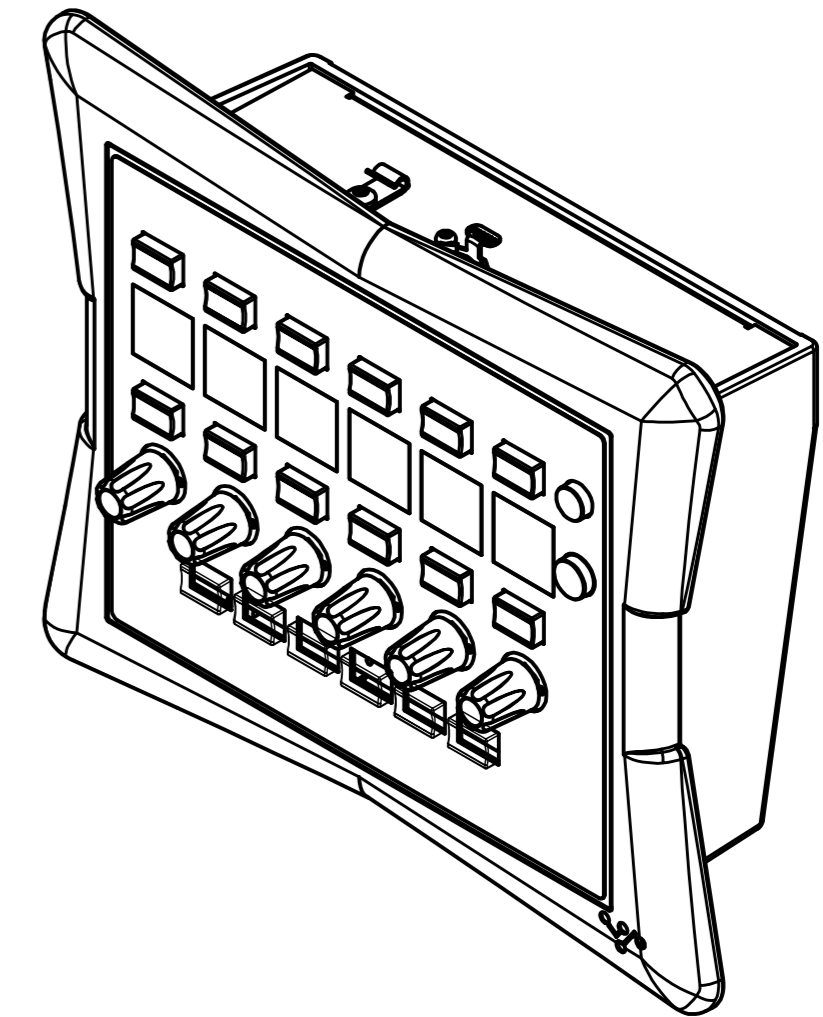
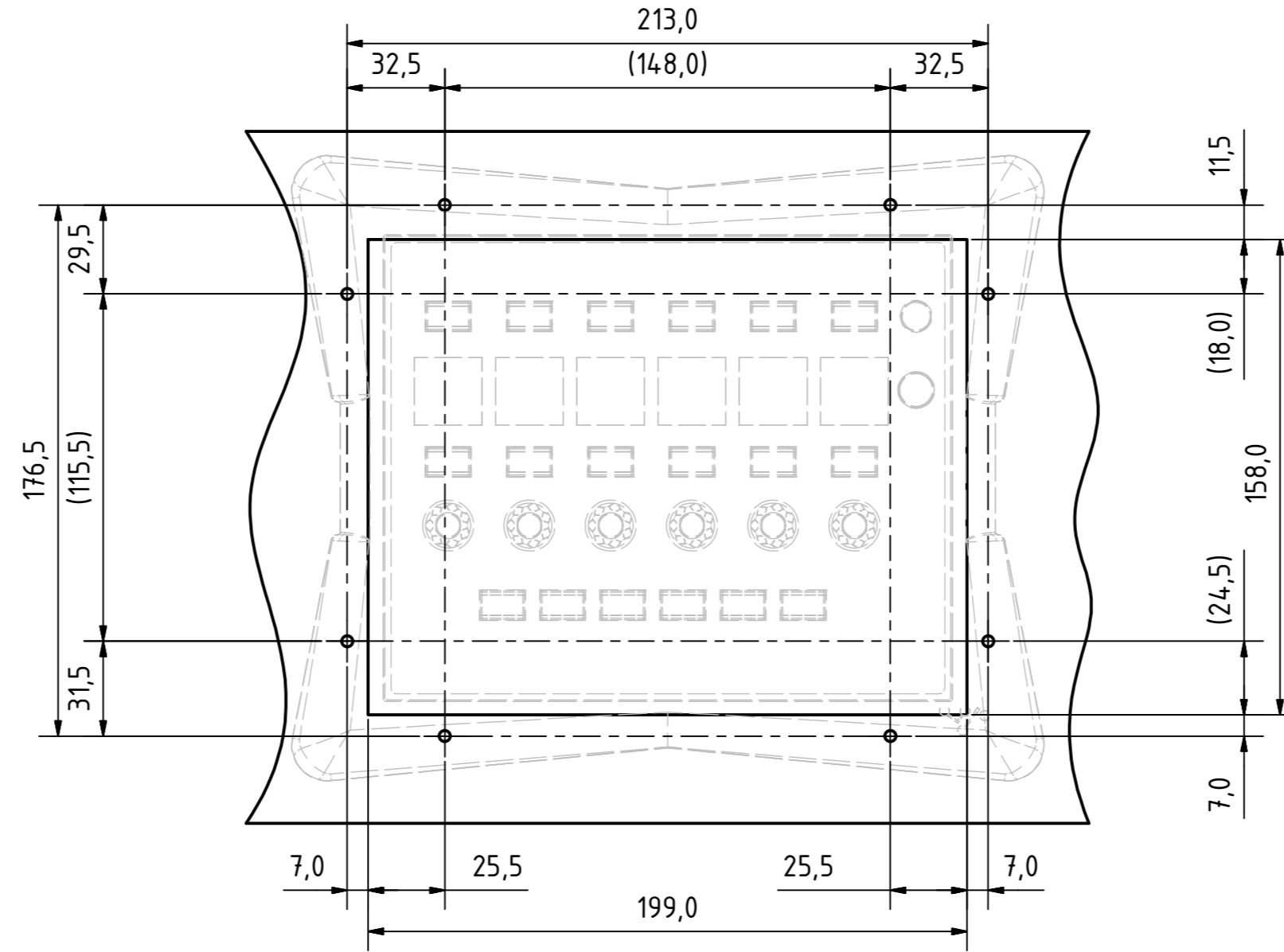
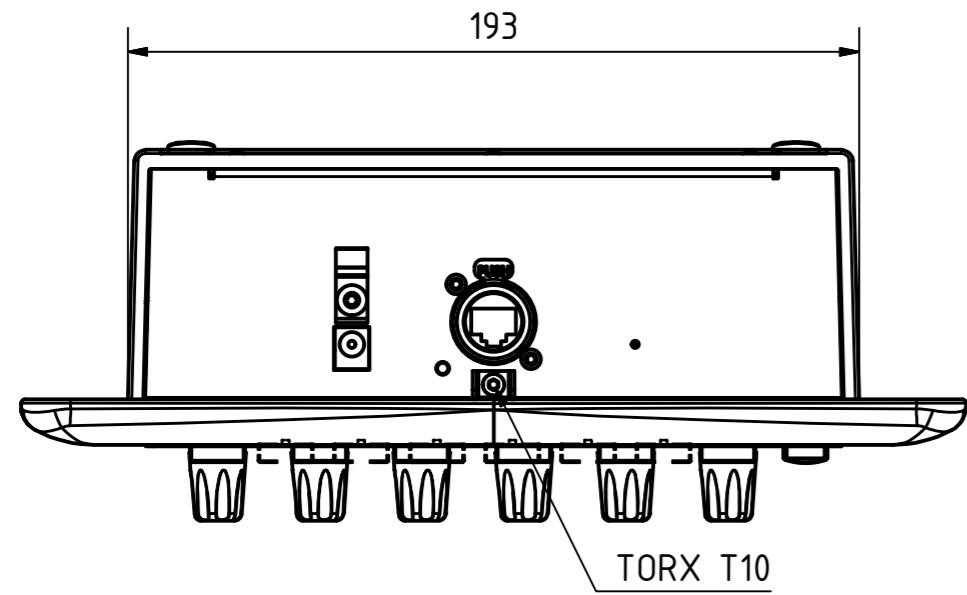
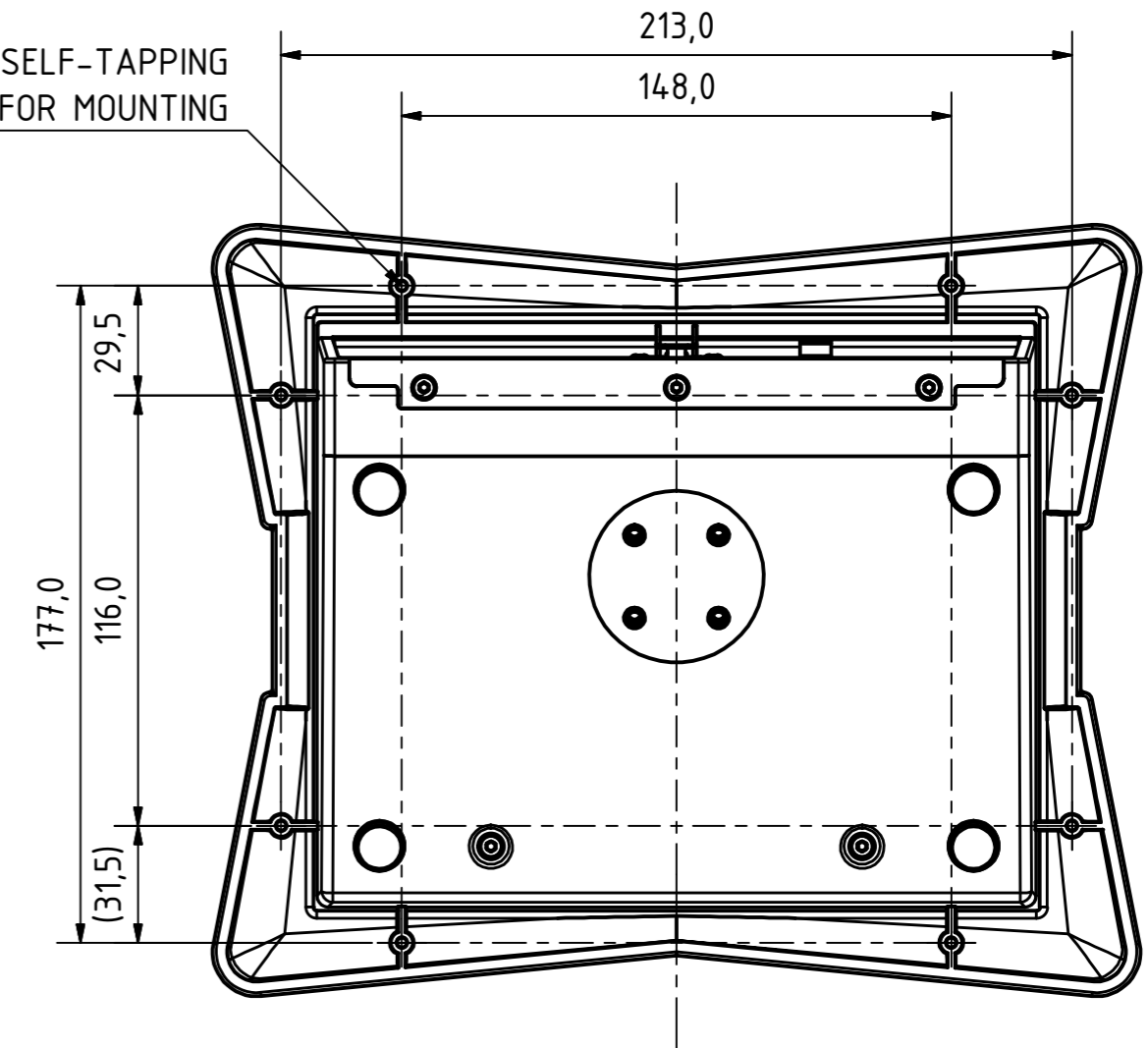


REVISION HISTORY						
ZONE	REV	DESCRIPTION	DATE	DCN/ECN/PRN	MOD RECORD	MOD RECORD DATE
	1	PRODUCTION RELEASE	08/05/2018			

CUT-OUT DIMENSIONS ( 1 : 2 )



USE SELF-TAPPING 6B SCREWS FOR MOUNTING



- OUTLINE DRAWING NOTES
1. THIS IS UNCONTROLLED DOCUMENT.
  2. DIMENSION CORRECT AT TIME OF PUBLICATION.
  3. GRAPHICAL DETAILS REPRESENTATIVE ONLY.

DESIGN STATE Released	IF IN DOUBT ASK! DO NOT SCALE	WEB LINK: COMPANY: DIGICO	PART INTERFACES WITH:				
STATUS: PRODUCTION	INSPECTION	DIGICO STOCK NUMBER:	DRAWN BY: R. Jowitt	MATERIAL REF:	MATL. SIZE: N/A	MATERIAL DESCRIPTION: N/A	
MFG. APP. BY	MFG. APP. DATE	ENG. APP. BY	ENG. APP. DATE	DWG FILE NUMBER:	DATE: 02/01/2018	FINISH REF:	FINISH DESCRIPTION N/A
				SUBJECT ASSEMBLY CATEGORY	DATE:	TITLE: OUTLINE DRAWING ACONTROL 6 MAIN ASSEMBLY OUTLINE	MOD RECORD
<small>COPYRIGHT: THIS DRAWING IS THE PROPERTY OF DIGICO (UK) LTD. THE INFORMATION IS CONFIDENTIAL &amp; MAY NOT BE USED WITHOUT THE WRITTEN CONSENT OF DIGICO (UK) LTD. THE CONTENTS OF THIS DRAWING ARE CORRECT AT THE TIME OF PUBLICATION AS AN INNOVATIVE DESIGN MANUFACTURE. DIGICO (UK) LTD. RESERVES THE RIGHT TO MAKE CHANGES WITHOUT NOTICE. FINISHES, MATERIALS, SPECIFICATIONS AND MARKS. DIGICO AND SOUNDTRACKS ARE REGISTERED TRADEMARKS.</small>				UNLESS STATED DIMENSIONS IN MILLIMETERS TOLERANCES UNLESS STATED DIMENSION NO DECIMAL +0.50 ONE DECIMAL +0.20 TWO DECIMAL +0.10 ANGLES +30'	HOLE UP TO Ø 6 +0.1-0 Ø 6 TO 12 +0.2-0 Ø 12 TO 24 +0.3-0 ABOVE Ø 24 AS STATED	PRODUCT: ACONTROL 6 PART NUMBER: 188-00085 DEVELOPMENT CODE: INSTALL	EST MASS: 1.257 kg SCALE: 1 : 2 SHEET 1
<small>© 2017 DIGICO</small>				LIMITS APPLY AFTER FINISHING, UNLESS STATED OTHERWISE MACHINED WHERE MARKED THUS: ✓ REMOVE ALL BURRS AND SHARP EDGES	FIRST USED ON:	DRAWING NUMBER: A2 0L 188-00085 1	ISSUE 1