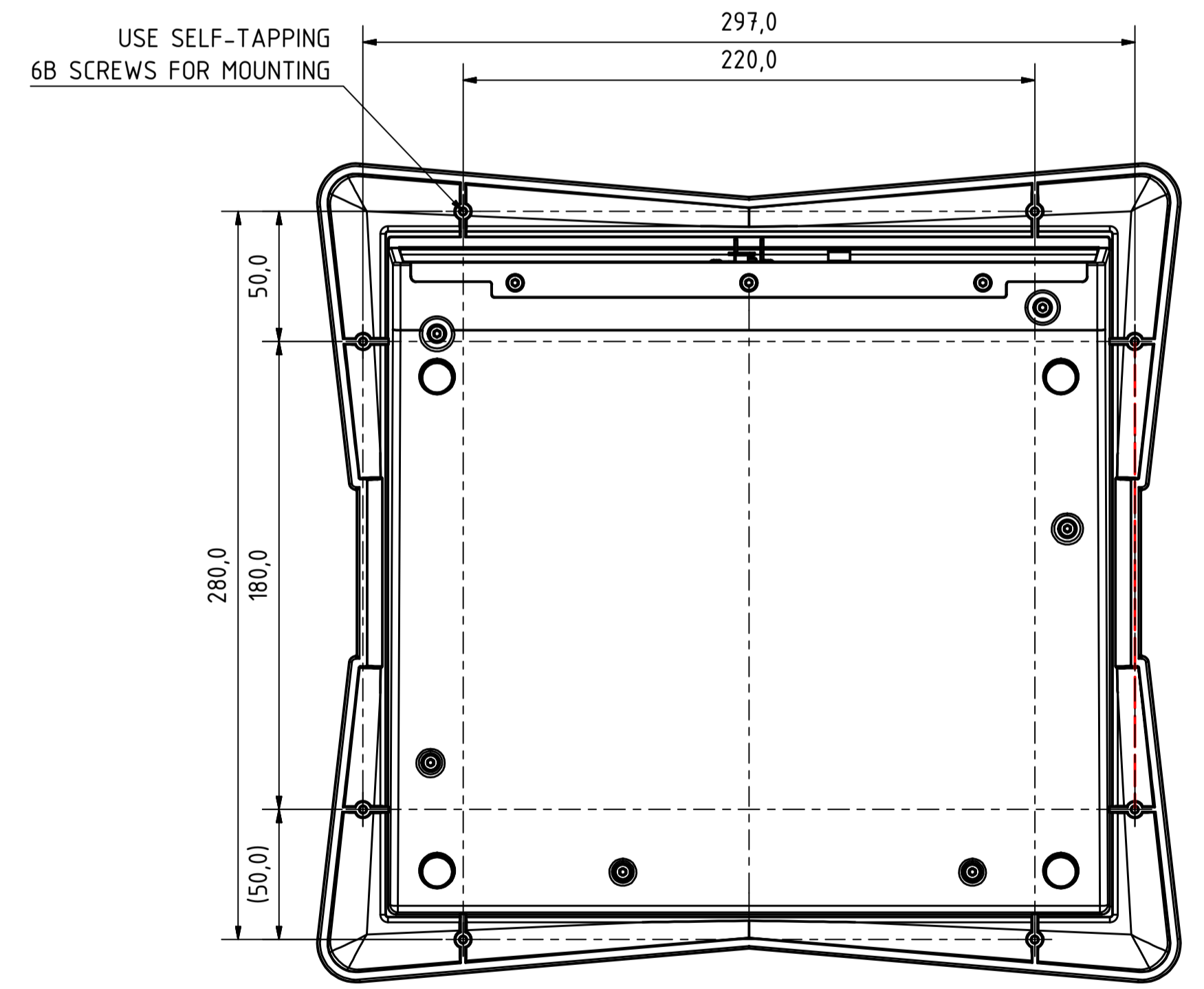
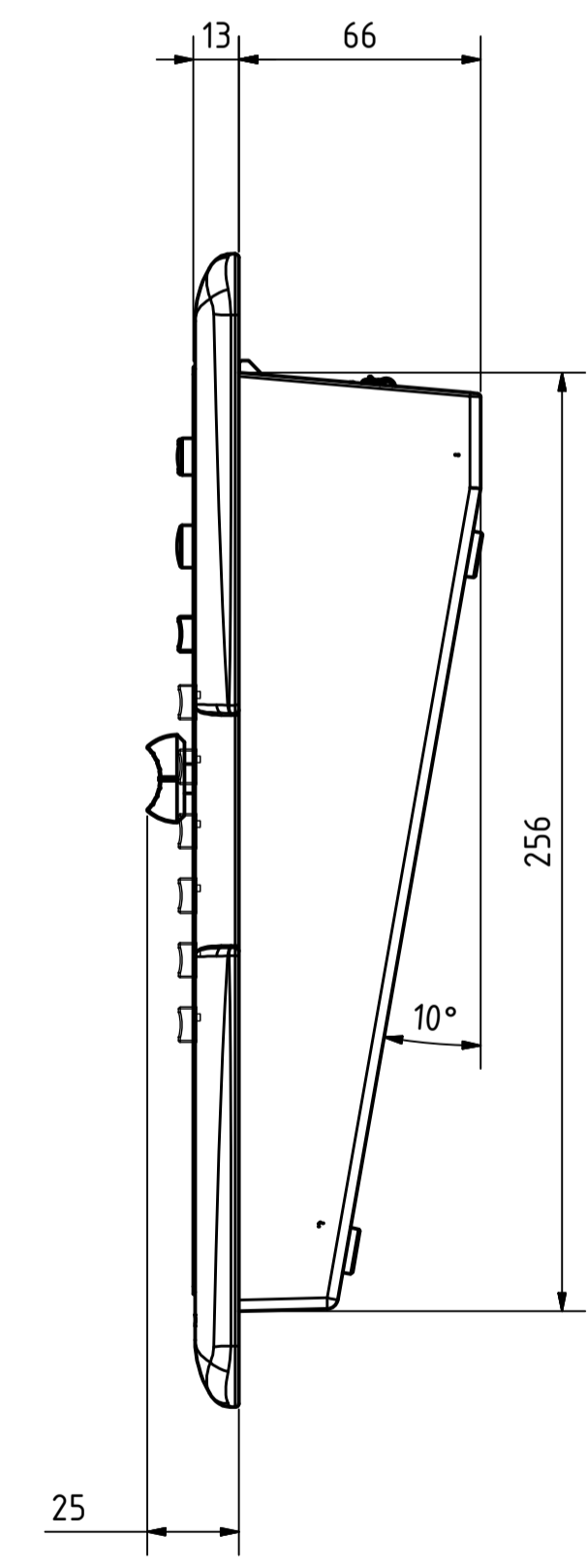
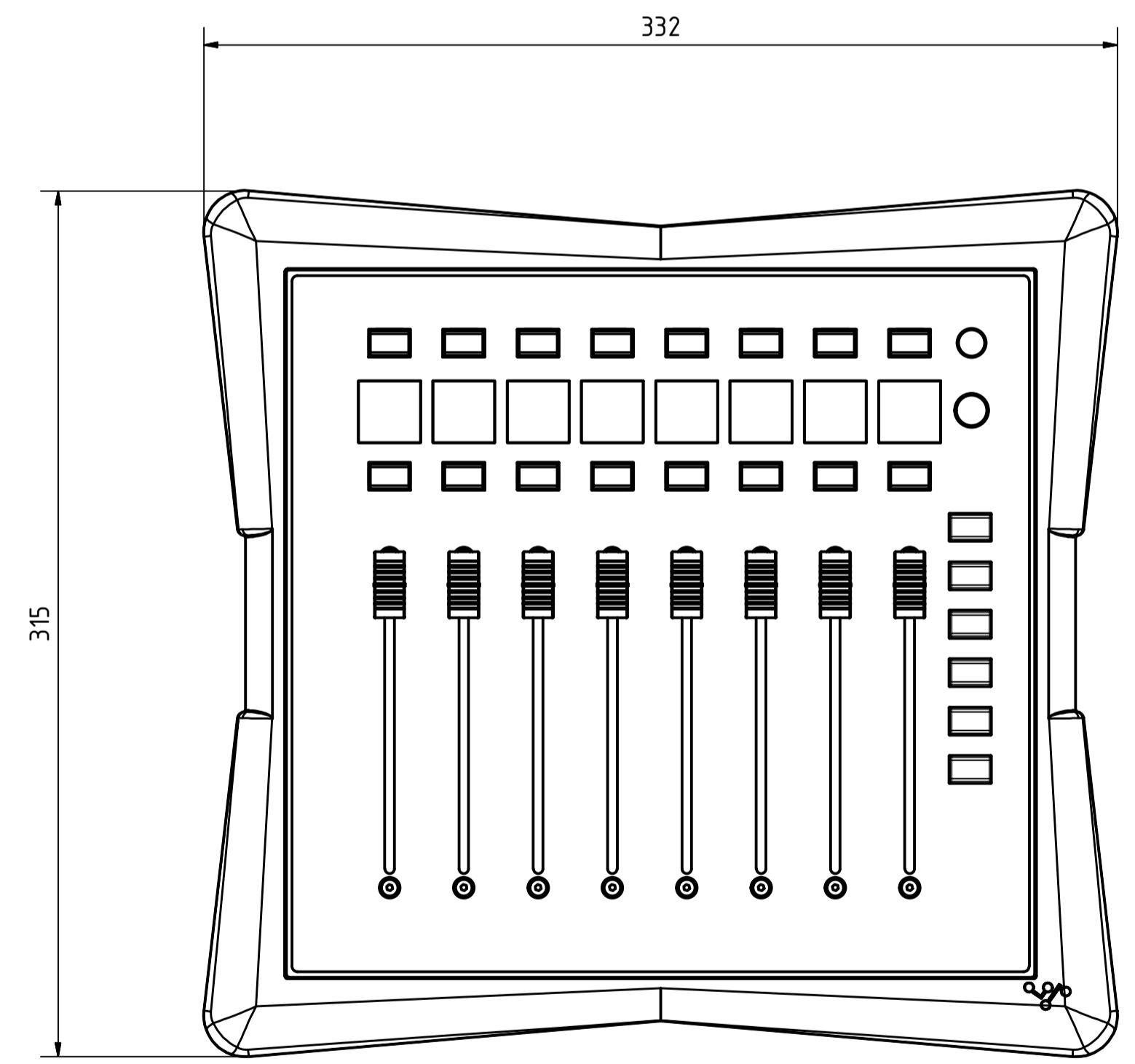
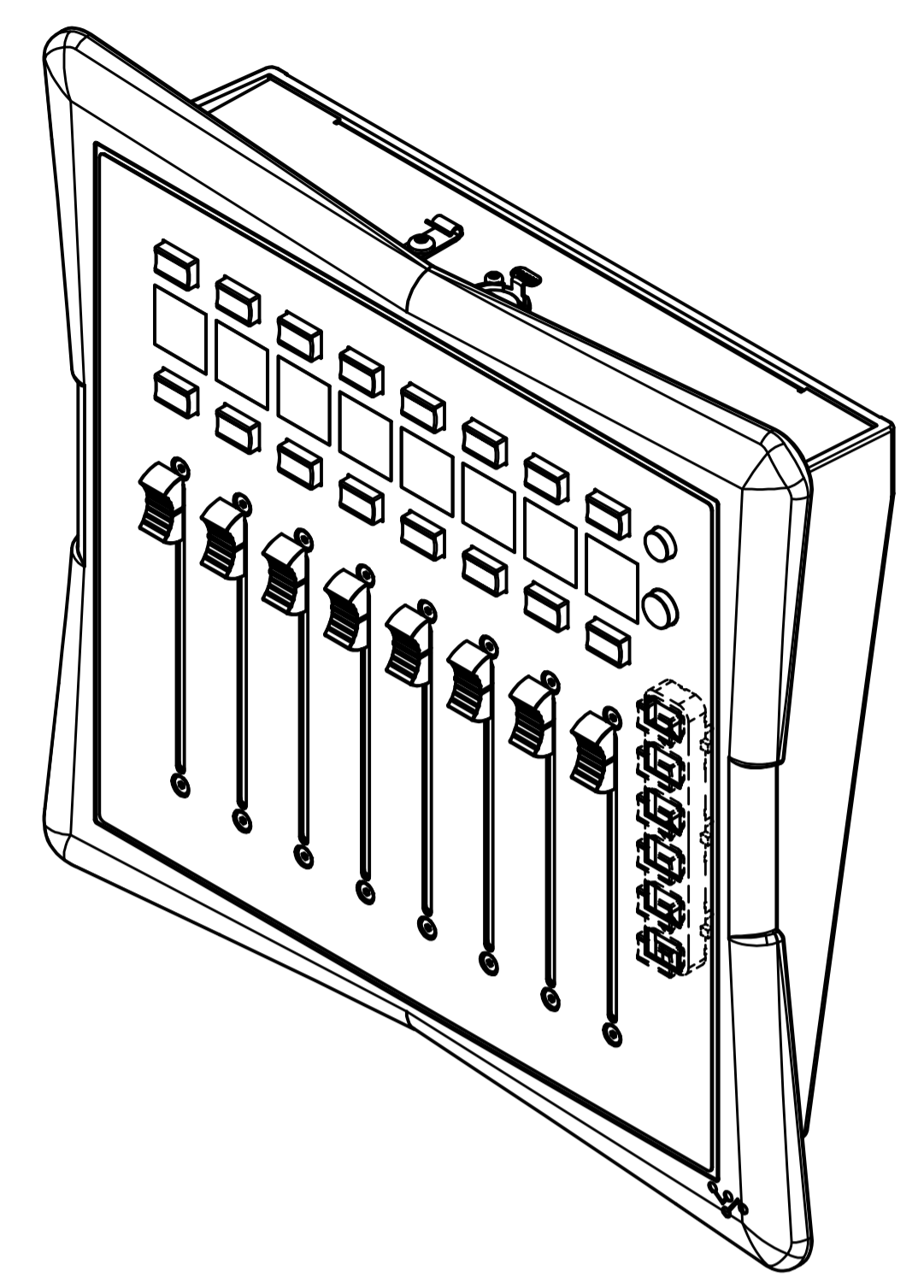
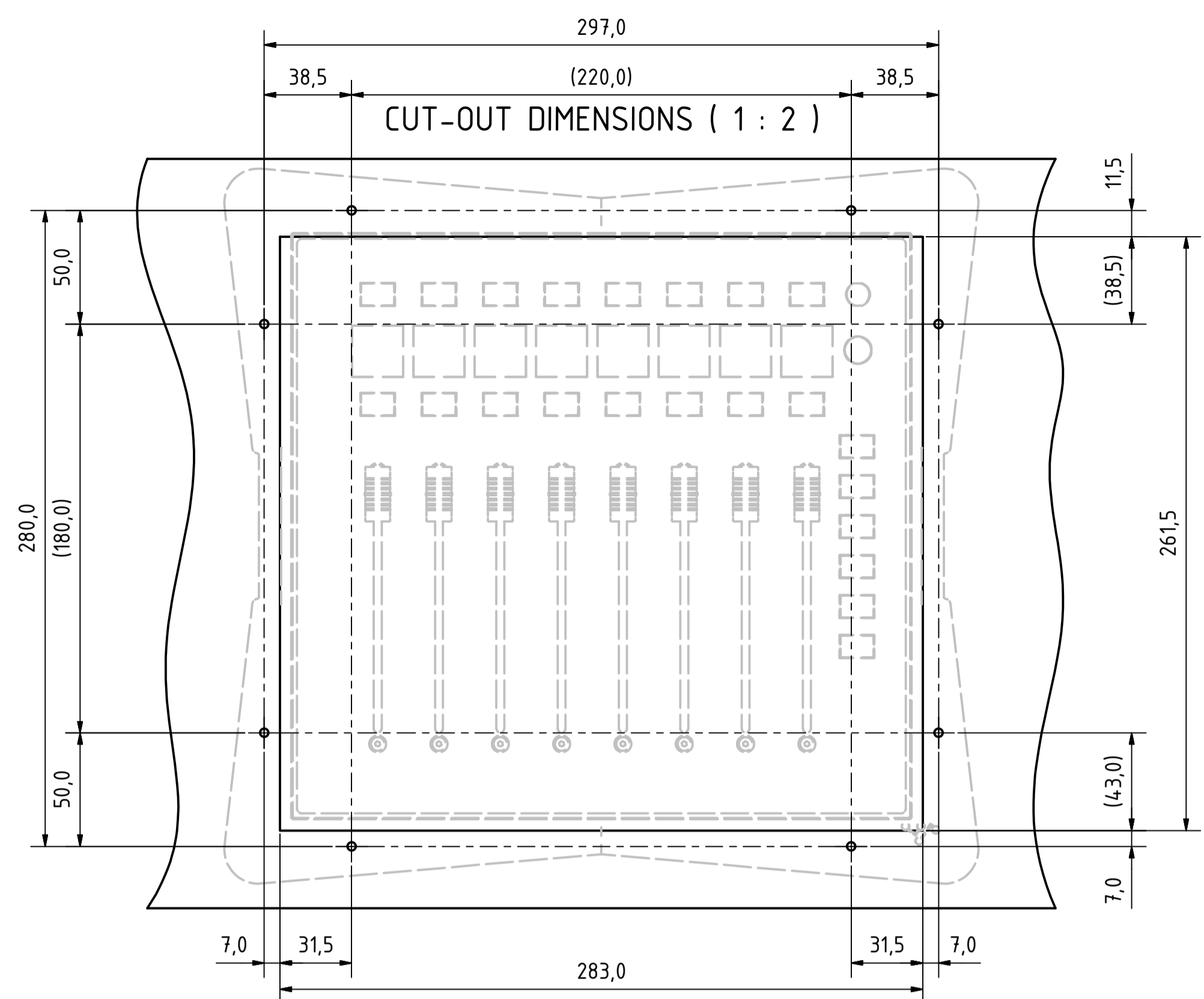
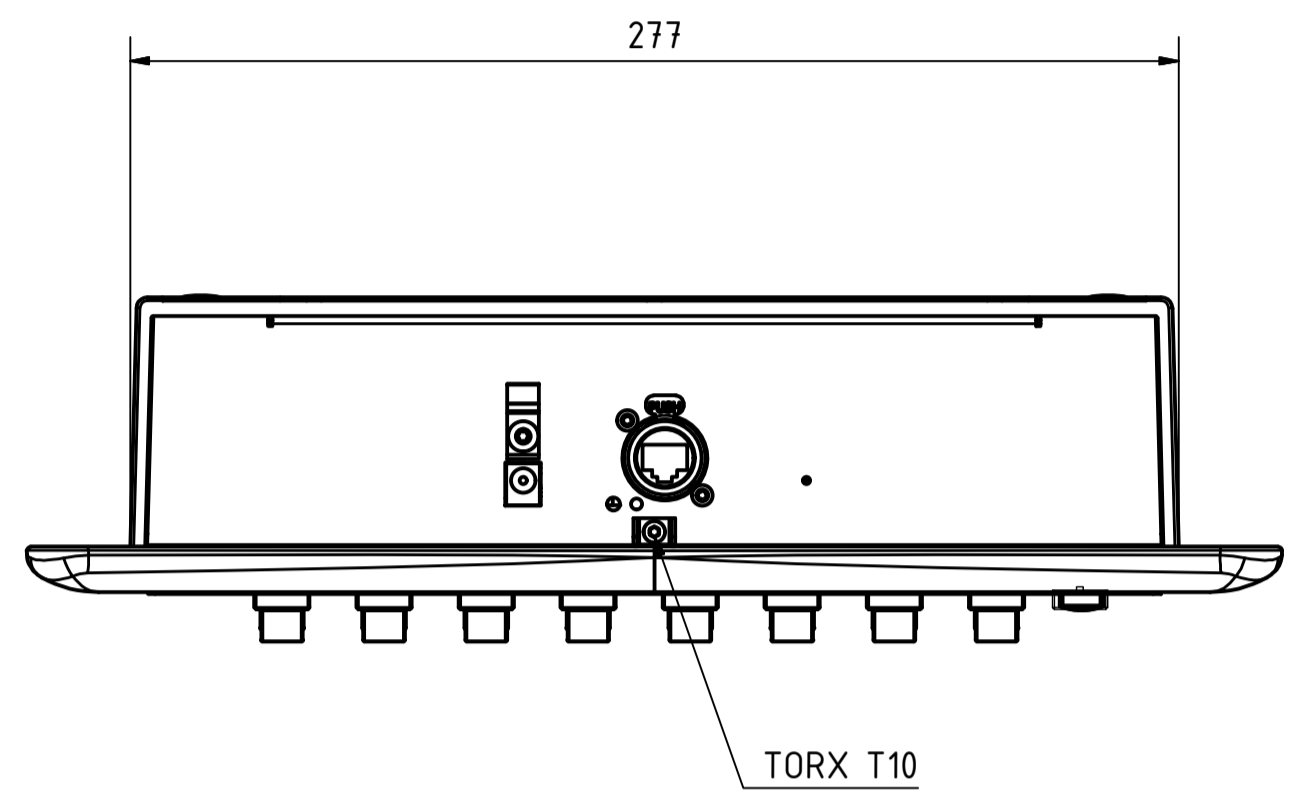


REVISION HISTORY						
ZONE	REV	DESCRIPTION	DATE	DCN/ECN/PRN	MOD RECORD	MOD RECORD DATE
	1	PRODUCTION RELEASE	16/05/2018			



OUTLINE DRAWING NOTES
 1. THIS IS UNCONTROLLED DOCUMENT.
 2. DIMENSION CORRECT AT TIME OF PUBLICATION.
 3. GRAPHICAL DETAILS REPRESENTATIVE ONLY.

DESIGN STATE Released	IF IN DOUBT ASK! DO NOT SCALE	WEB LINK COMPANY: DIGICO	PART INTERFACES WITH:
STATUS PRODUCTION	INSPECTION	DIGICO STOCK NUMBER:	MATERIAL REF: MATL. SIZE: MATERIAL DESCRIPTION: N/A N/A N/A
MFG. APP. BY: MFG. APP. DATE: ENG. APP. BY: ENG. APP. DATE:	DWG FILE NUMBER:	DATE: 02/01/2018	FINISH REF: FINISH DESCRIPTION: N/A
SUBJECT ASSEMBLY CATEGORY		CHECKED:	TITLE OUTLINE DRAWING ACONTROL 8 MAIN ASSEMBLY OUTLINE
UNLESS STATED DIMENSIONS IN MILLIMETERS		FIRST USED ON:	MOO RECORD
TOLERANCES UNLESS STATED		DATE:	EST MASS: 2,826 kg
DIMENSION		PRODUCT: ACONTROL 8	SCALE: 1:2
NO DIMENSION: UP TO 25.4 ±0.1		PART NUMBER: 188-00086	SHEET 1
ONE DECIMAL: ±0.25		DEVELOPMENT CODE: A1 0L	
TWO DECIMAL: ±0.10		INSTALL	
ANGULAR: ±30°			
LIMITS APPLY AFTER FINISHING UNLESS STATED OTHERWISE			
MACHINED WHERE MARKED THUS: <input checked="" type="checkbox"/>			
REMOVE ALL BURRS AND SHARP EDGES			