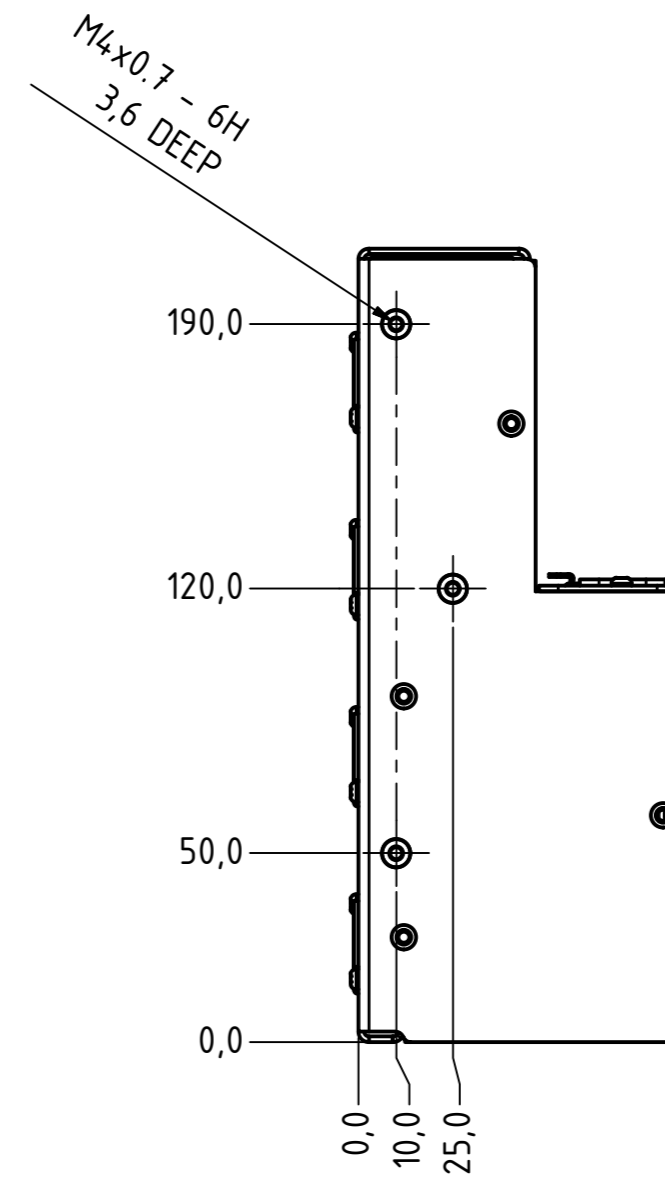
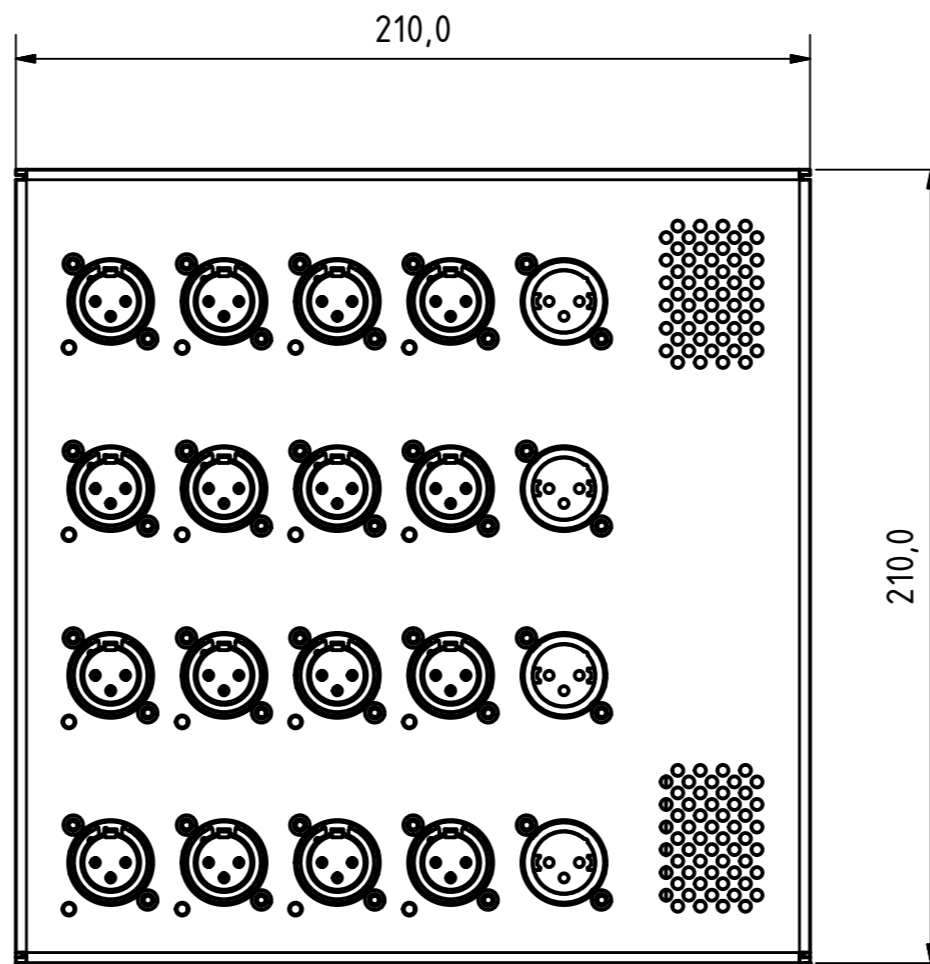
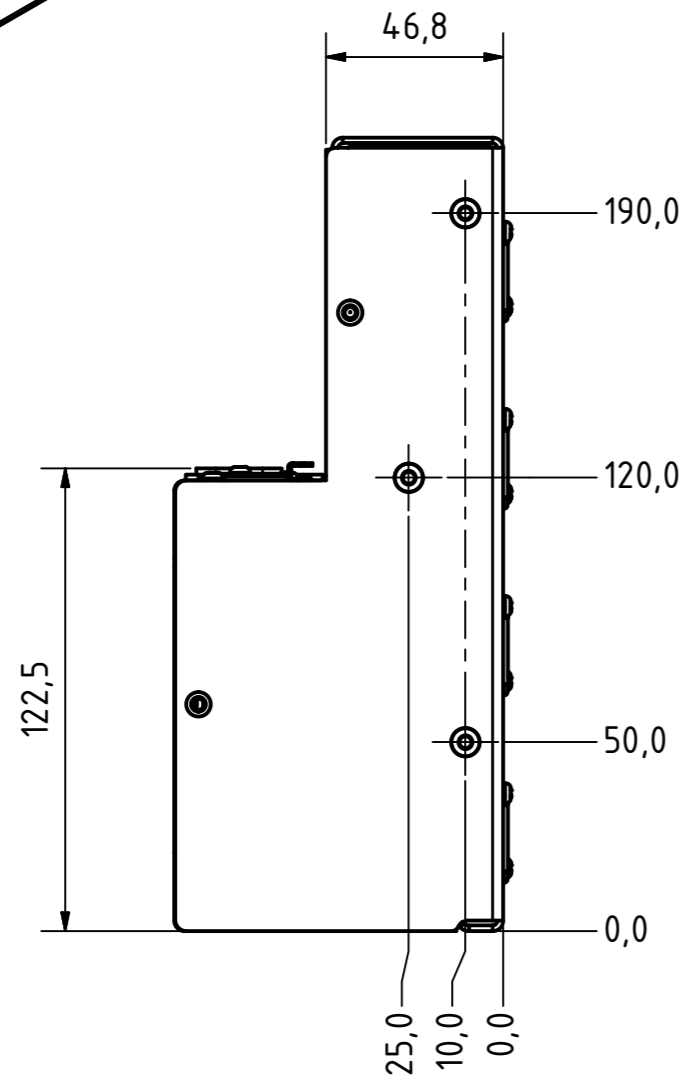
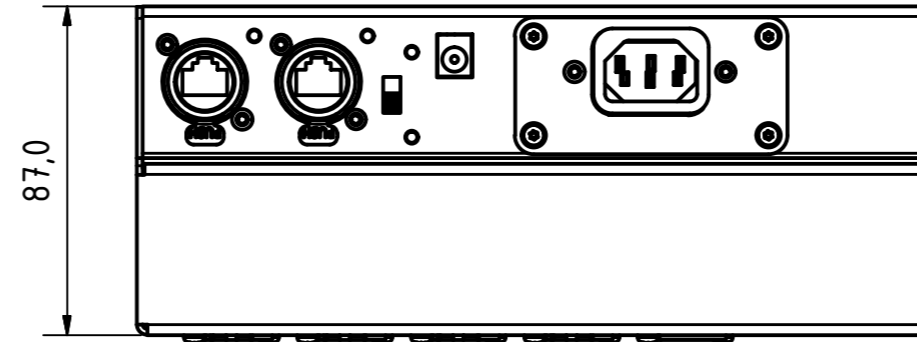
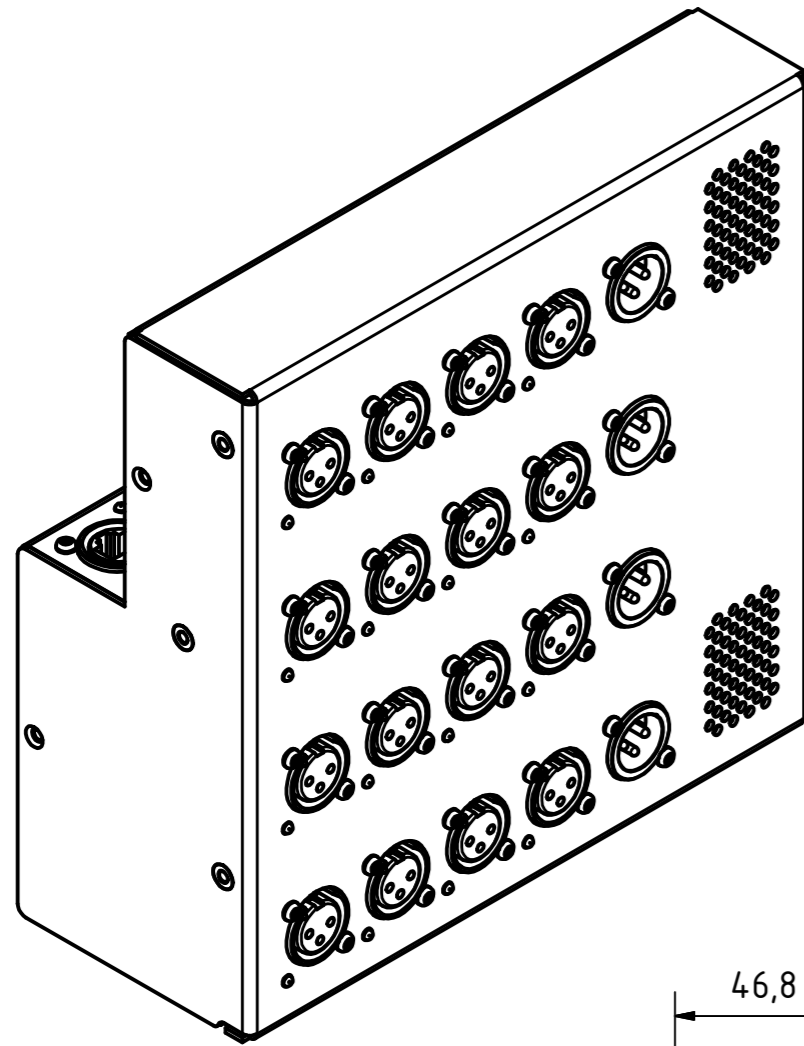


REVISION HISTORY						
ZONE	REV	DESCRIPTION	DATE	DCN/ECN/PRN	MOD RECORD	MOD RECORD DATE
A		NEW DRAWING	04/01/2018			



- OUTLINE DRAWING NOTES
1. THIS IS UNCONTROLLED DOCUMENT.
 2. DIMENSION CORRECT AT TIME OF PUBLICATION.
 3. GRAPHICAL DETAILS REPRESENTATIVE ONLY.

DESIGN STATE Released	IF IN DOUBT ASK! DO NOT SCALE	WEB LINK: COMPANY: DIGICO	PART INTERFACES WITH:				
STATUS: PROTOTYPE	INSPECTION	DIGICO STOCK NUMBER:	DRAWN BY: R. Jowitt	MATERIAL REF:	MATL. SIZE: N/A	MATERIAL DESCRIPTION: N/A	
MFG. APP. BY	MFG. APP. DATE	ENG. APP. BY	ENG. APP. DATE	DWG FILE NUMBER:	DATE: 04/01/2018	FINISH REF:	FINISH DESCRIPTION N/A
				SUBJECT ASSEMBLY CATEGORY	CHECKED:	TITLE: A164 WALL MAIN ASSEMBLY OUTLINE	
<small>UNLESS STATED DIMENSIONS IN MILLIMETERS TOLERANCES UNLESS STATED</small> <small>DIMENSION</small> <small>NO DECIMAL +0.50 UP TO Ø 6 +0.1-0</small> <small>ONE DECIMAL +0.20 Ø 6 TO 12 +0.2-0</small> <small>TWO DECIMAL +0.10 Ø 12 TO 24 +0.3-0</small> <small>ANGULARS +30'</small> <small>ABOVE Ø 24 AS STATED</small>				FIRST USED ON:	PRODUCT: A164 WALL	DRAWING NUMBER: A2 0L 188-00089 A	
<small>COPYRIGHT: THIS DRAWING IS THE PROPERTY OF DIGICO (UK) LTD. THE INFORMATION IS CONFIDENTIAL & MAY NOT BE USED WITHOUT THE WRITTEN CONSENT OF DIGICO (UK) LTD. THE CONTENTS OF THIS DRAWING ARE CORRECT AT THE TIME OF PUBLICATION AS AN INNOVATIVE DESIGN MANUFACTURE (IDM) DESIGN. DIGICO (UK) LTD. RESERVES THE RIGHT TO MAKE CHANGES WITHOUT NOTICE. ALL RIGHTS RESERVED. MATERIALS SPECIFICATION AND MARKINGS. DIGICO AND SOUNDTRACKS ARE REGISTERED TRADEMARKS.</small>				LIMITS APPLY AFTER FINISHING, UNLESS STATED OTHERWISE	PART NUMBER: 188-00089	SHEET 1	
<small>REMOVE ALL BURRS AND SHARP EDGES</small>				DEVELOPMENT CODE: INSTALL	<small>SIZE SUPPLY IDENT NUMBER FINISH CODE ISSUE</small>		