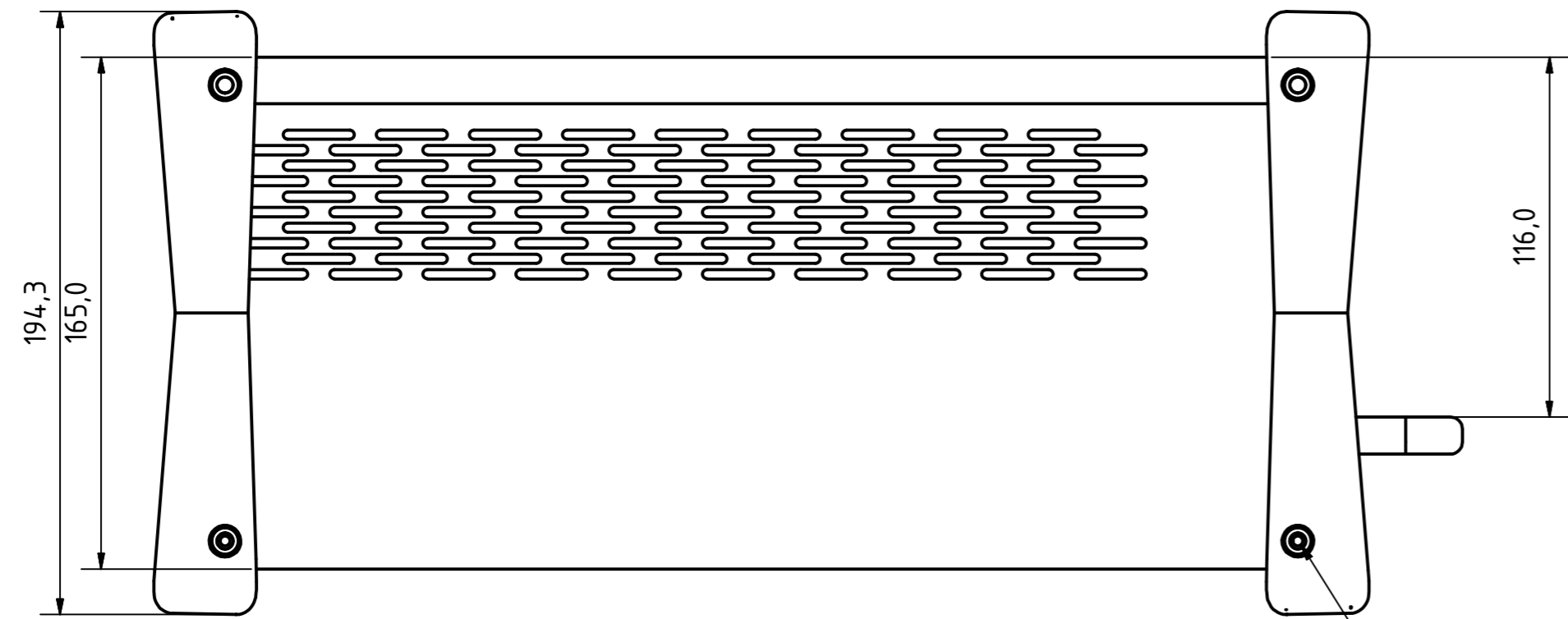
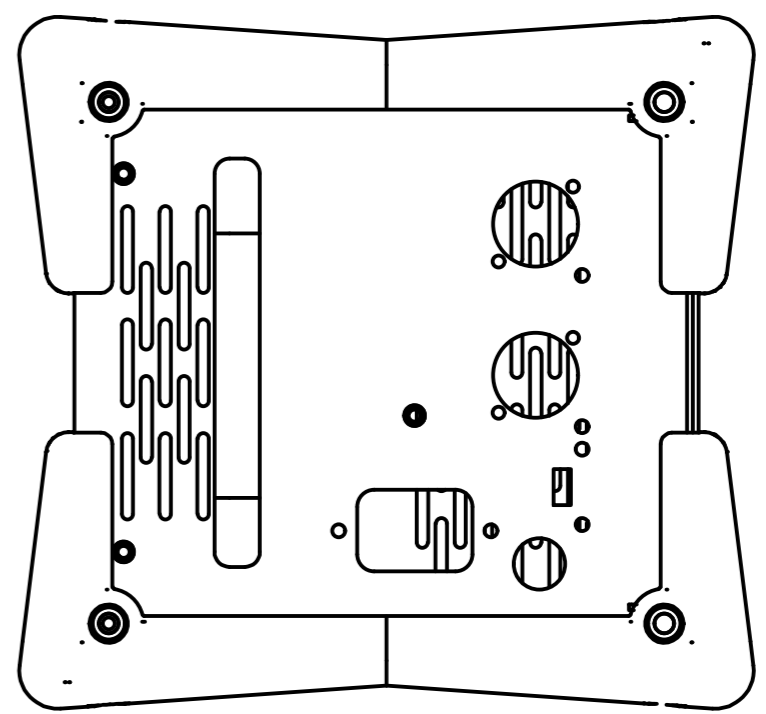
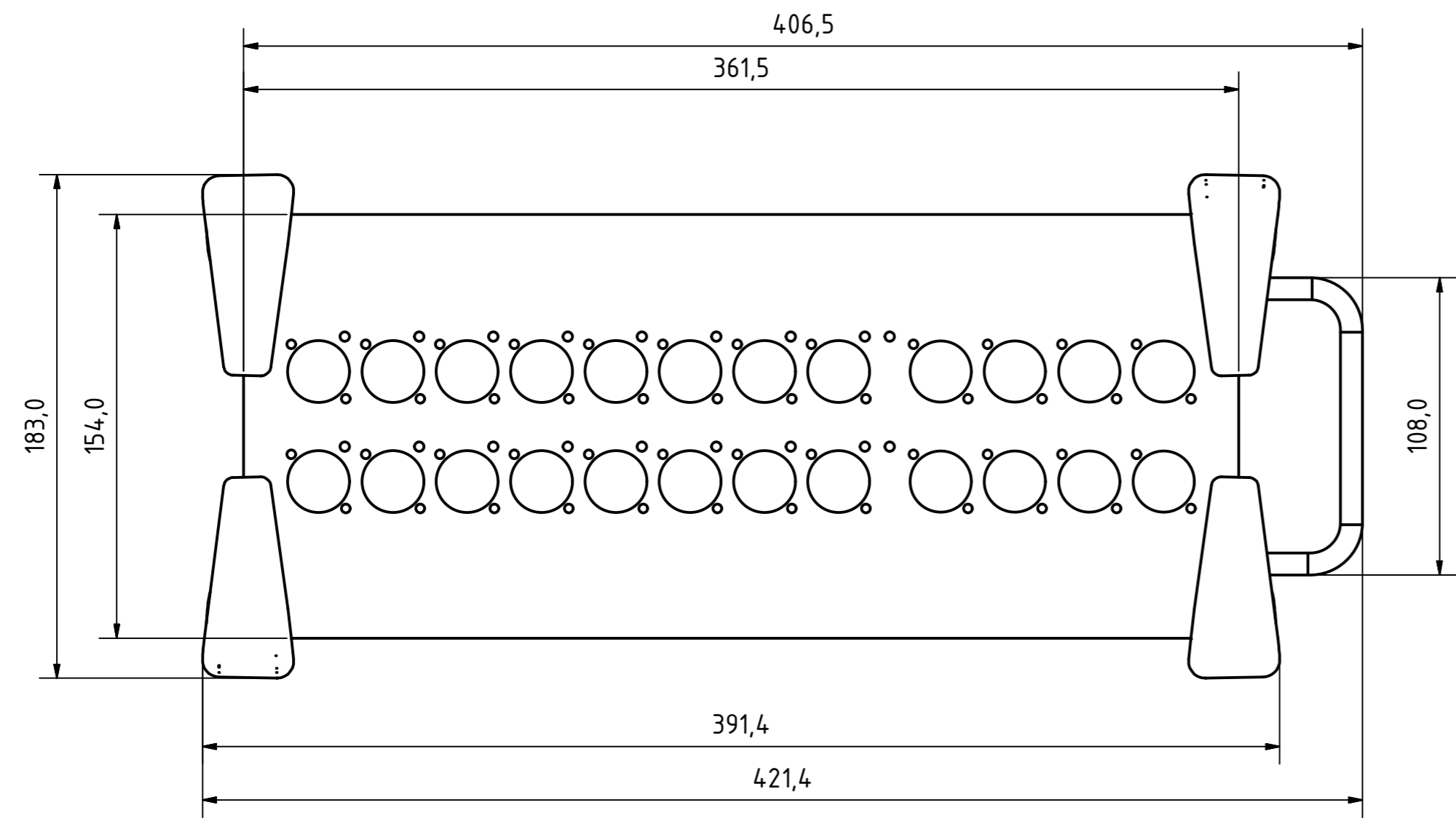
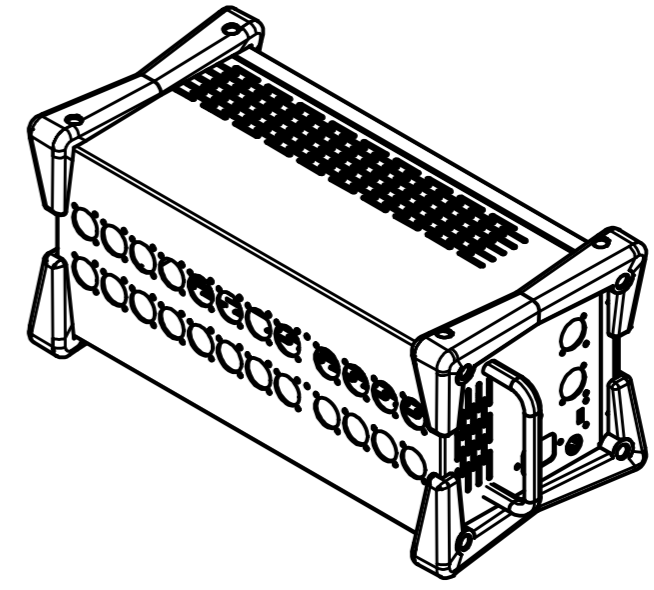


REVISION HISTORY						
ZONE	REV	DESCRIPTION	DATE	DCN/ECN/PRN	MOD RECORD	MOD RECORD DATE
A		NEW DRAWING	25/04/2018			



REMOVABLE BUMPERS  
USE TORX T20



- OUTLINE DRAWING NOTES**
1. THIS IS UNCONTROLLED DOCUMENT.
  2. DIMENSION CORRECT AT TIME OF PUBLICATION.
  3. GRAPHICAL DETAILS REPRESENTATIVE ONLY.

DESIGN STATE Released	IF IN DOUBT ASK! DO NOT SCALE	WEB LINK: COMPANY: DIGICO	PART INTERFACES WITH: N/A	
STATUS: PROTOTYPE	INSPECTION N/A	DIGICO STOCK NUMBER:	DRAWN BY: R. Jowitt	MATERIAL REF: N/A
MFG. APP. BY:	MFG. APP. DATE:	ENG. APP. BY:	ENG. APP. DATE:	DATE: 25/04/2018
DWG FILE NUMBER:		CHECKED:		FINISH REF: N/A
SUBJECT ASSEMBLY CATEGORY		DATE:		FINISH DESCRIPTION N/A
UNLESS STATED DIMENSIONS IN MILLIMETERS TOLERANCES UNLESS STATED		FIRST USED ON: N/A		TITLE: A168 STAGE MAIN ASSEMBLY OUTLINE
DIMENSION NO DECIMAL +0.50 ONE DECIMAL +0.20 TWO DECIMAL +0.10 ANGULARS +0.1		LIMITS APPLY AFTER FINISHING, UNLESS STATED OTHERWISE		MOD RECORD
COPYRIGHT: THIS DRAWING IS THE PROPERTY OF DIGICO (UK) LTD. THE INFORMATION IS CONFIDENTIAL & MAY NOT BE USED WITHOUT THE WRITTEN CONSENT OF DIGICO (UK) LTD. THE CONTENTS OF THIS DRAWING ARE CORRECT AT THE TIME OF PUBLICATION AS AN INNOVATIVE DESIGN MANUFACTURE (DIGICO) LTD. RESERVES THE RIGHT TO MAKE CHANGES, WITHOUT NOTICE, TO SOURCES, MATERIALS, SPECIFICATION AND MARKETS. DIGICO AND SOUNDTRACS ARE REGISTERED TRADEMARKS.		PRODUCT: A168 STAGE		EST MASS: N/A
MACHINED WHERE MARKED THUS: <input checked="" type="checkbox"/>		PART NUMBER: 188-00093		SCALE: 1 : 2
REMOVE ALL BURRS AND SHARP EDGES		DEVELOPMENT CODE: INSTALL		SHEET 1
		DRAWING NUMBER: A2 0L 188-00093 A		ISSUE 1