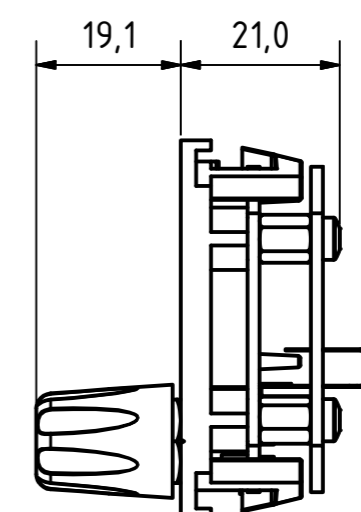
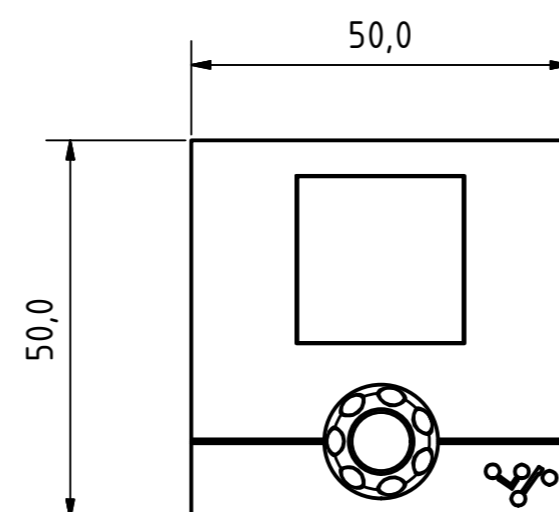
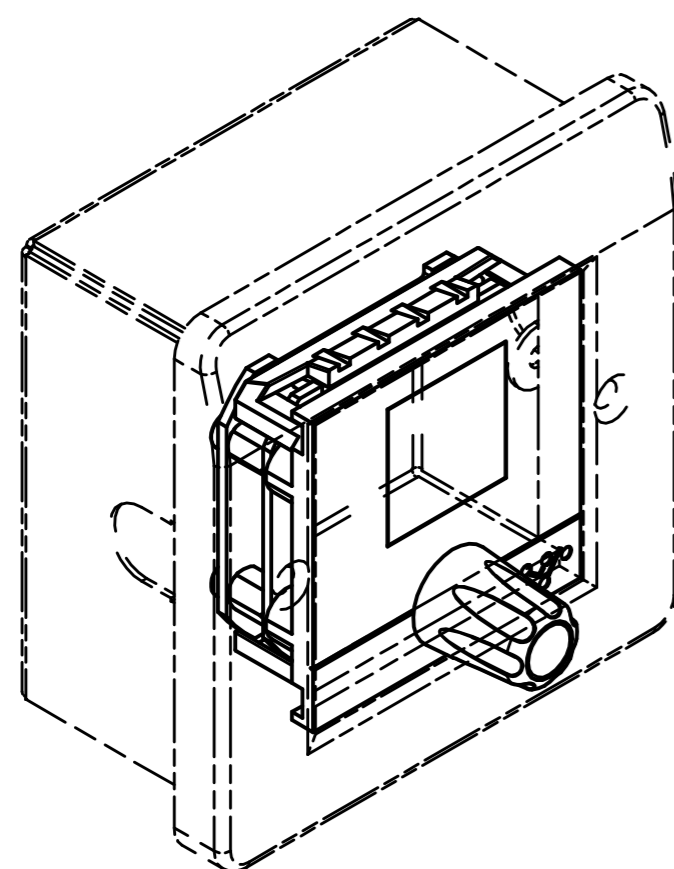
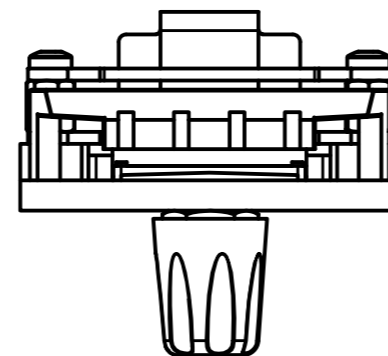
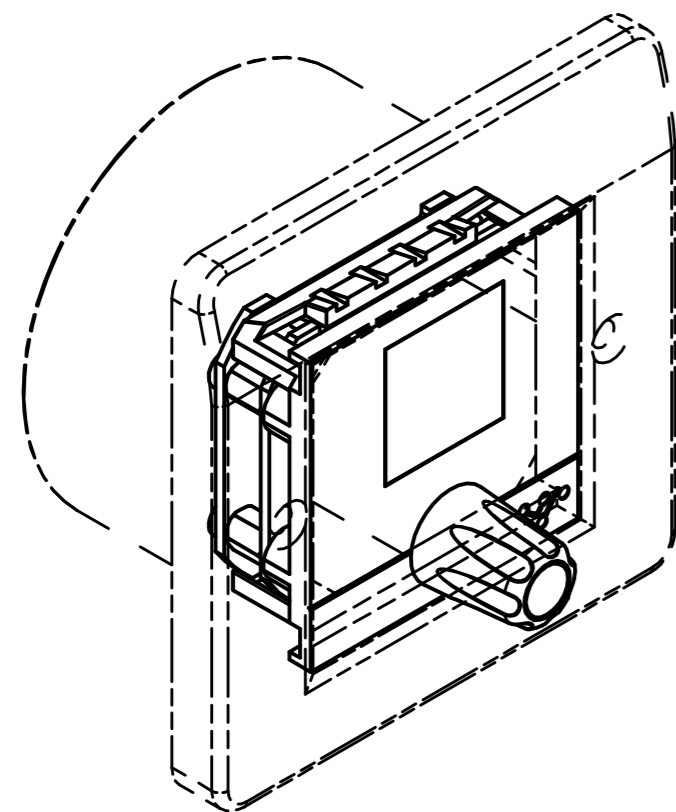


REVISION HISTORY						
ZONE	REV	DESCRIPTION	DATE	DCN/ECN/PRN	MOD RECORD	MOD RECORD DATE
A		NEW DRAWING	22/05/2018			



- OUTLINE DRAWING NOTES
1. THIS IS UNCONTROLLED DOCUMENT.
 2. DIMENSION CORRECT AT TIME OF PUBLICATION.
 3. GRAPHICAL DETAILS REPRESENTATIVE ONLY.

DESIGN STATE Released	IF IN DOUBT ASK! DO NOT SCALE	WEB LINK: COMPANY: DIGICO	PART INTERFACES WITH:											
STATUS: PROTOTYPE	INSPECTION	DIGICO STOCK NUMBER:	DRAWN BY: R. Jowitt	MATERIAL REF:	MATL. SIZE: N/A	MATERIAL DESCRIPTION: N/A								
MFG. APP. BY	MFG. APP. DATE	ENG. APP. BY	ENG. APP. DATE	DWG FILE NUMBER:	DATE: 15/03/2018	FINISH REF:	FINISH DESCRIPTION N/A							
				SUBJECT ASSEMBLY CATEGORY	CHECKED:	TITLE: ACONTROL 1 EU	MOD RECORD							
<small>UNLESS STATED DIMENSIONS IN MILLIMETERS TOLERANCES UNLESS STATED DIMENSION NO DECIMAL ± 0.50 UP TO $\varnothing 6$ ± 0.10 ONE DECIMAL ± 0.20 $\varnothing 6$ TO 12 ± 0.20 TWO DECIMAL ± 0.10 $\varnothing 12$ TO 24 ± 0.30 ANGULARS $\pm 30'$</small>				FIRST USED ON:	PRODUCT: ACONTROL 1	DRAWING NUMBER: 188-00091	EST MASS: N/A							
<small>COPYRIGHT: THIS DRAWING IS THE PROPERTY OF DIGICO (UK) LTD. THE INFORMATION IS CONFIDENTIAL & MAY NOT BE USED WITHOUT THE WRITTEN CONSENT OF DIGICO (UK) LTD. THE CONTENTS OF THIS DRAWING ARE CORRECT AT THE TIME OF PUBLICATION AS AN INNOVATIVE DESIGN MANUFACTURE DIGICO (UK) LTD. RESERVES THE RIGHT TO MAKE CHANGES WITHOUT NOTICE. ALL DIMENSIONS ARE IN MILLIMETERS UNLESS SPECIFIED OTHERWISE. DIGICO AND SOUNDTRACS ARE REGISTERED TRADEMARKS.</small>				LIMITS APPLY AFTER FINISHING, UNLESS STATED OTHERWISE	PART NUMBER: 188-00091	DEVELOPMENT CODE: INSTALL	SCALE: 1 : 1							
<small>REMOVE ALL BURRS AND SHARP EDGES</small>				<table border="1"> <tr> <td>A2</td> <td>OL</td> <td>188-00091</td> <td>A</td> </tr> <tr> <td>SIZE</td> <td>SUFFIX</td> <td>IDENT NUMBER</td> <td>ISSUE</td> </tr> </table>	A2	OL	188-00091	A	SIZE	SUFFIX	IDENT NUMBER	ISSUE	SHEET 1	1
A2	OL	188-00091	A											
SIZE	SUFFIX	IDENT NUMBER	ISSUE											