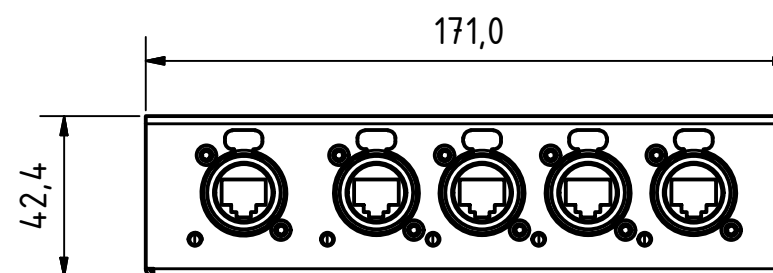
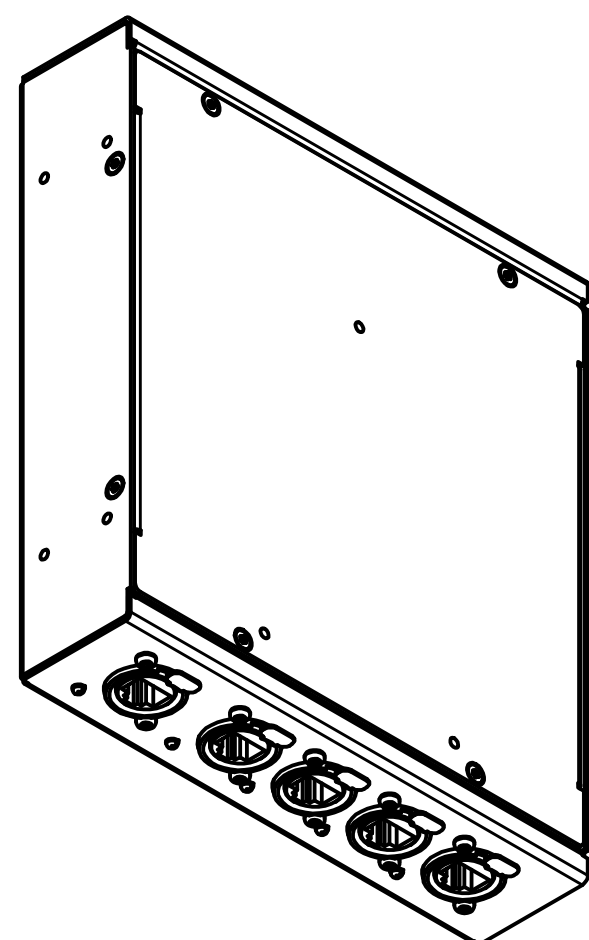
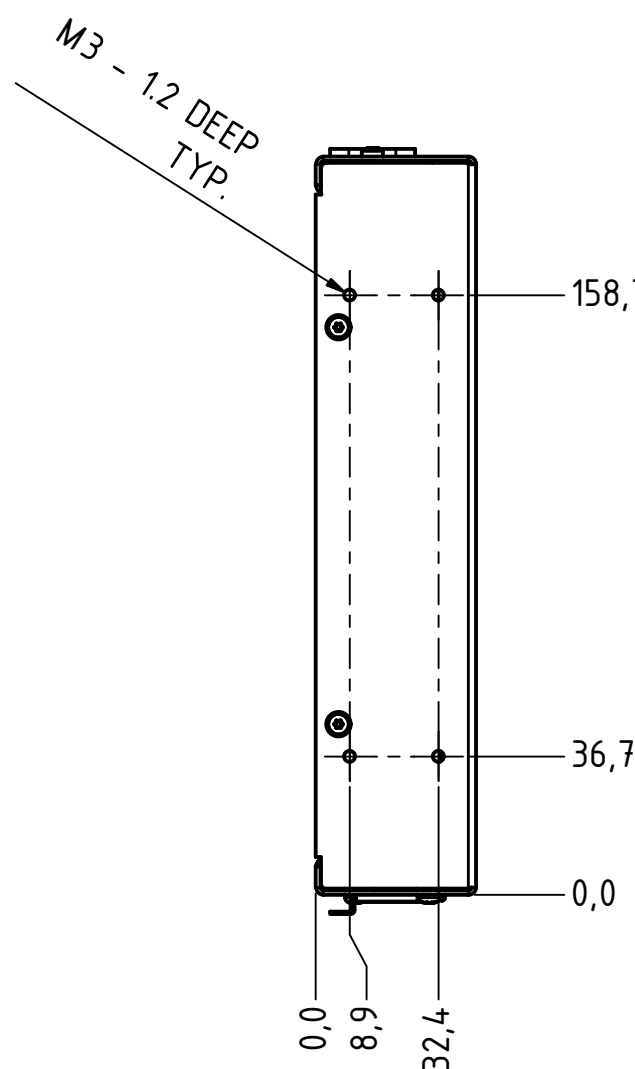
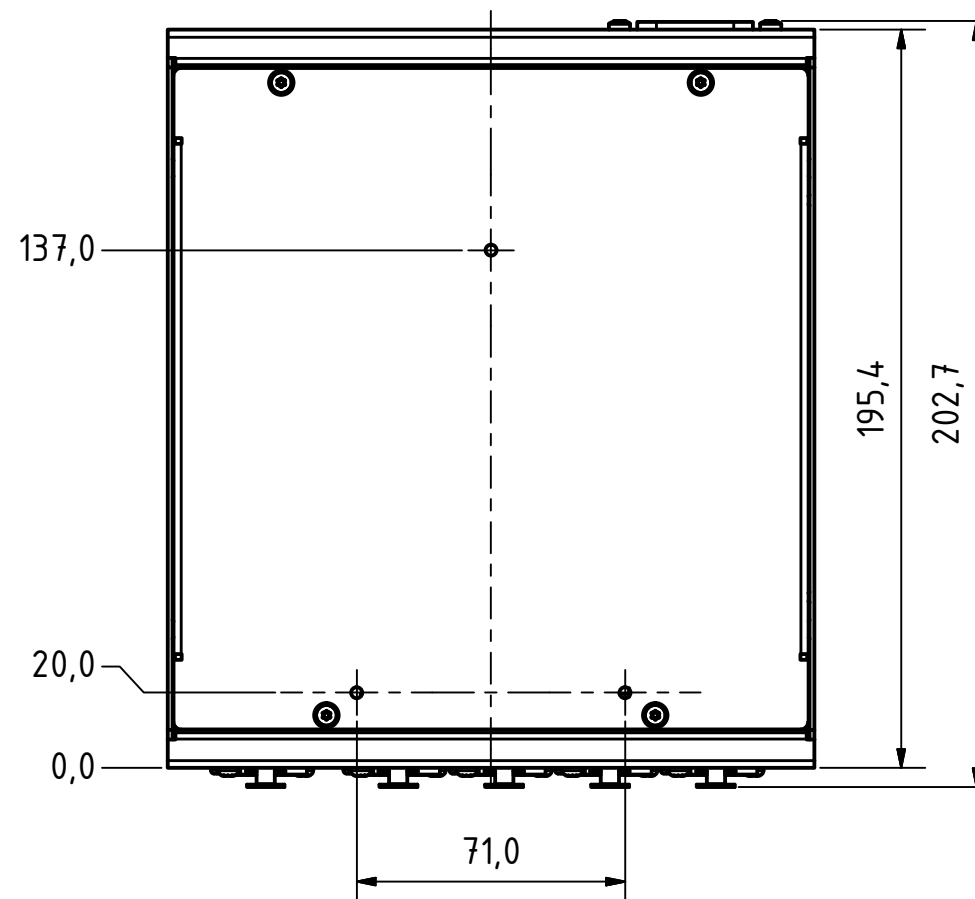
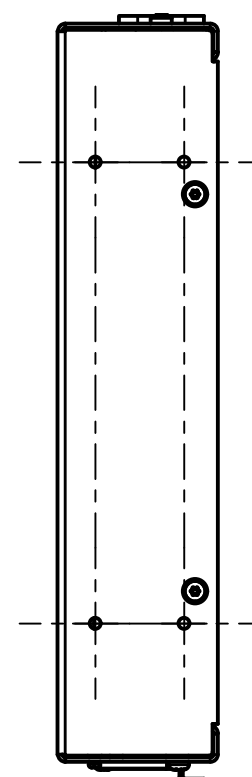
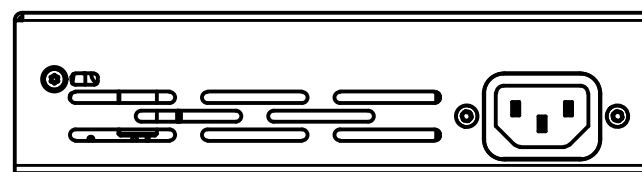


REVISION HISTORY						
ZONE	REV	DESCRIPTION	DATE	DCN/ECN/PRN	MOD RECORD	MOD RECORD DATE
A		NEW DRAWING	03/01/2018			



OUTLINE DRAWING NOTES
 1. THIS IS UNCONTROLLED DOCUMENT.
 2. DIMENSION CORRECT AT TIME OF PUBLICATION.
 3. GRAPHICAL DETAILS REPRESENTATIVE ONLY.

DESIGN STATE Released	IF IN DOUBT ASK! DO NOT SCALE	WEB LINK: COMPANY: DIGICO	PART INTERFACES WITH:					
STATUS: PROTOTYPE	INSPECTION	DIGICO STOCK NUMBER:	DRAWN BY: R. Jowitt	MATERIAL REF:	MATL. SIZE: N/A	MATERIAL DESCRIPTION: N/A		
MFG. APP. BY	MFG. APP. DATE	ENG. APP. BY	ENG. APP. DATE	DWG FILE NUMBER:	DATE: 03/01/2018	FINISH REF:	FINISH DESCRIPTION N/A	
				SUBJECT ASSEMBLY CATEGORY	CHECKED:	TITLE: OUTLINE DRAWING ASTAR MAIN ASSEMBLY OUTLINE		MOD RECORD
<small> THE QUEENS AWARDS FOR ENTERPRISE INTERNATIONAL TRADE 2011 email: info@digiconsoles.com web site: www.digiconsoles.biz COPYRIGHT: THIS DRAWING IS THE PROPERTY OF DIGICO (UK) LTD. THE INFORMATION IS CONFIDENTIAL & MAY NOT BE USED WITHOUT THE WRITTEN CONSENT OF DIGICO (UK) LTD. THE CONTENTS OF THIS DRAWING ARE CORRECT AT THE TIME OF PUBLICATION AS AN INNOVATIVE DESIGN MANUFACTURED BY DIGICO (UK) LTD. RESERVES THE RIGHT TO MAKE CHANGES WITHOUT NOTICE AND TO SOURCE MATERIALS SPECIFICATION AND MARKS. DIGICO AND SOUNDTRACS ARE REGISTERED TRADEMARKS. © 2017 DIGICO </small>				<small> UNLESS STATED DIMENSIONS IN MILLIMETERS TOLERANCES UNLESS STATED DIMENSION NO DECIMAL +0.50 UP TO Ø 6 +0.1-0 ONE DECIMAL +0.20 Ø 6 TO 12 +0.2-0 TWO DECIMAL +0.10 Ø 12 TO 24 +0.3-0 ABOVE Ø 24 AS STATED ANGULARS +30° HOLES Ø 6 TO 12 +0.2-0 Ø 12 TO 24 +0.3-0 ABOVE Ø 24 AS STATED LIMITS APPLY AFTER FINISHING, UNLESS STATED OTHERWISE MACHINED WHERE MARKED THUS: <input checked="" type="checkbox"/> REMOVE ALL BURRS AND SHARP EDGES </small>	DATE:	FIRST USED ON:	PRODUCT: ASTAR	DRAWING NUMBER:
<small> PART NUMBER: 188-00087 DEVELOPMENT CODE: INSTALL </small>				<small> PART NUMBER: 188-00087 DEVELOPMENT CODE: INSTALL </small>	<small> PART NUMBER: 188-00087 DEVELOPMENT CODE: INSTALL </small>	<small> PART NUMBER: 188-00087 DEVELOPMENT CODE: INSTALL </small>	<small> PART NUMBER: 188-00087 DEVELOPMENT CODE: INSTALL </small>	<small> EST MASS: N/A SCALE: 1 : 2 SHEET 1 </small>