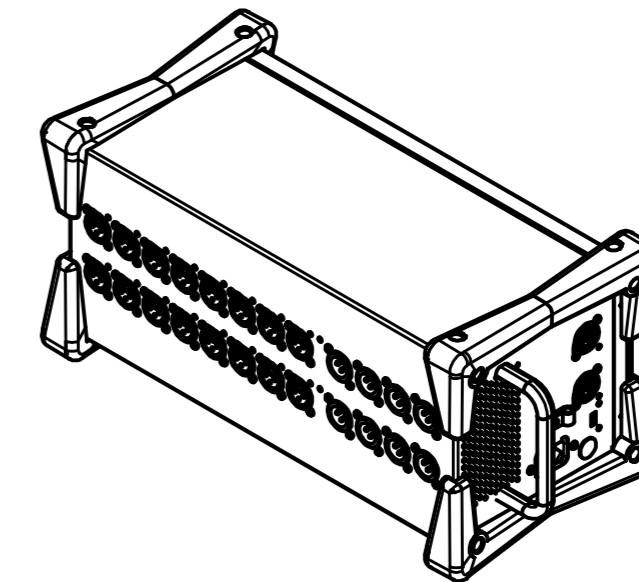
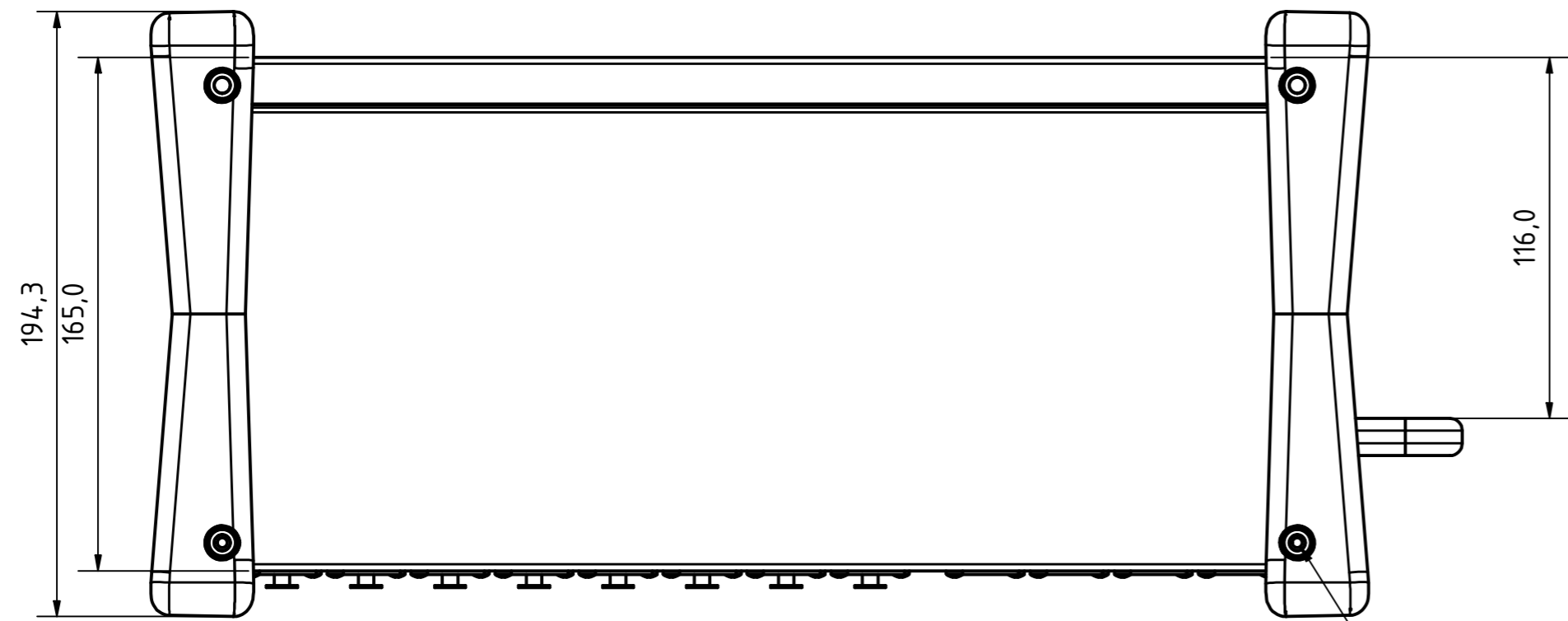
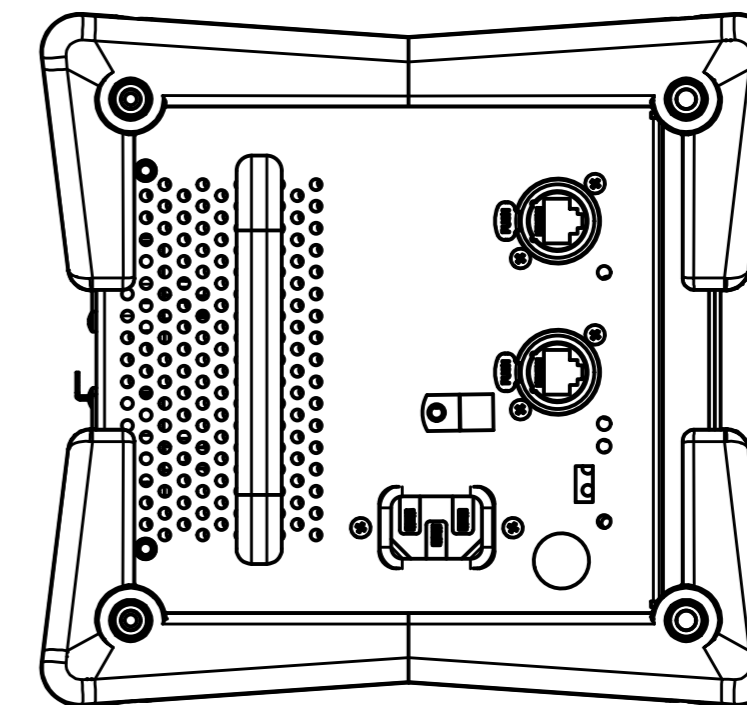
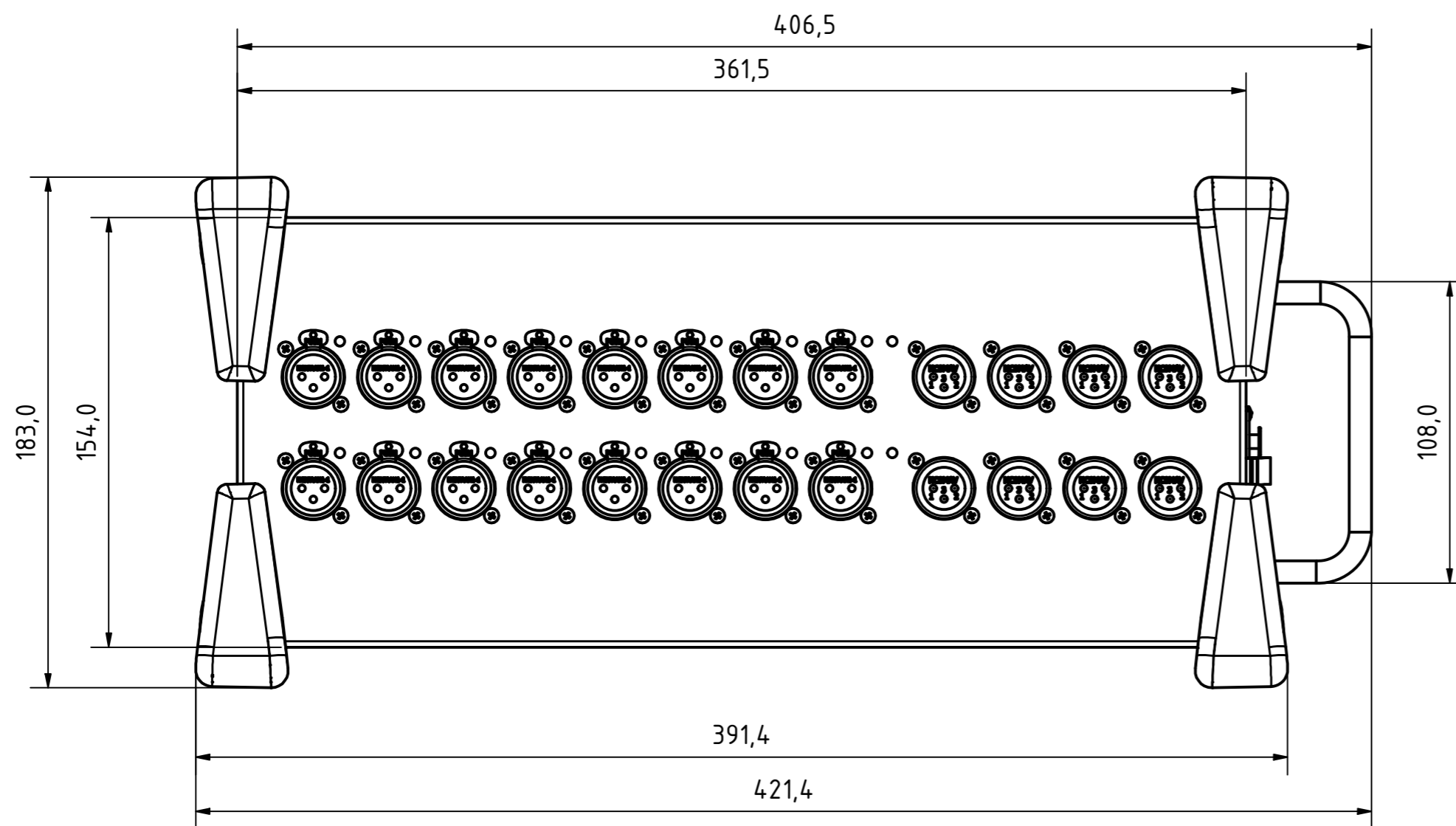


REVISION HISTORY						
ZONE	REV	DESCRIPTION	DATE	DCN/ECN/PRN	MOD RECORD	MOD RECORD DATE
	2	RACK MOUNT DETAIL VIEW ADDED TO DRAWING	07/12/2020			

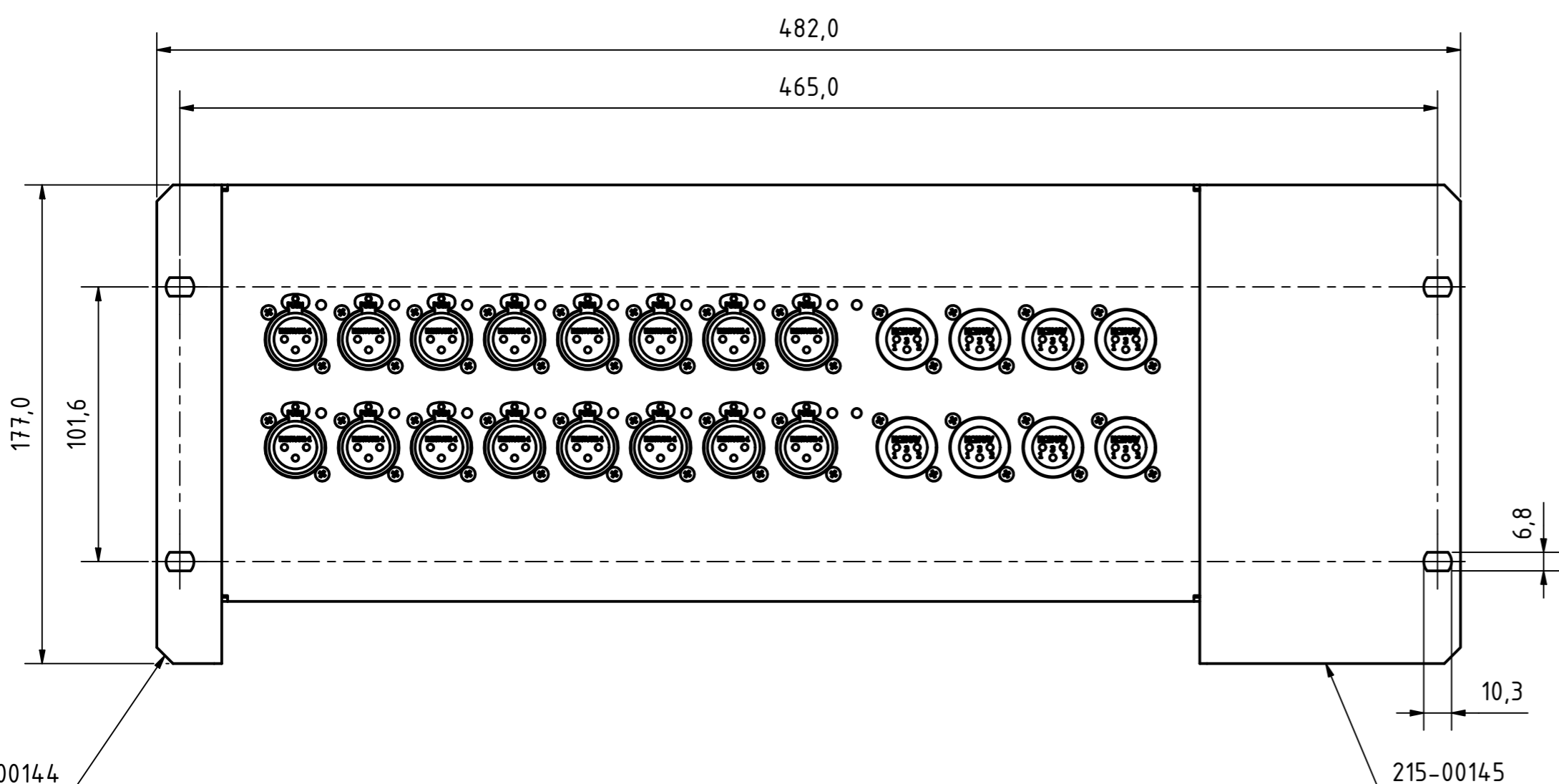
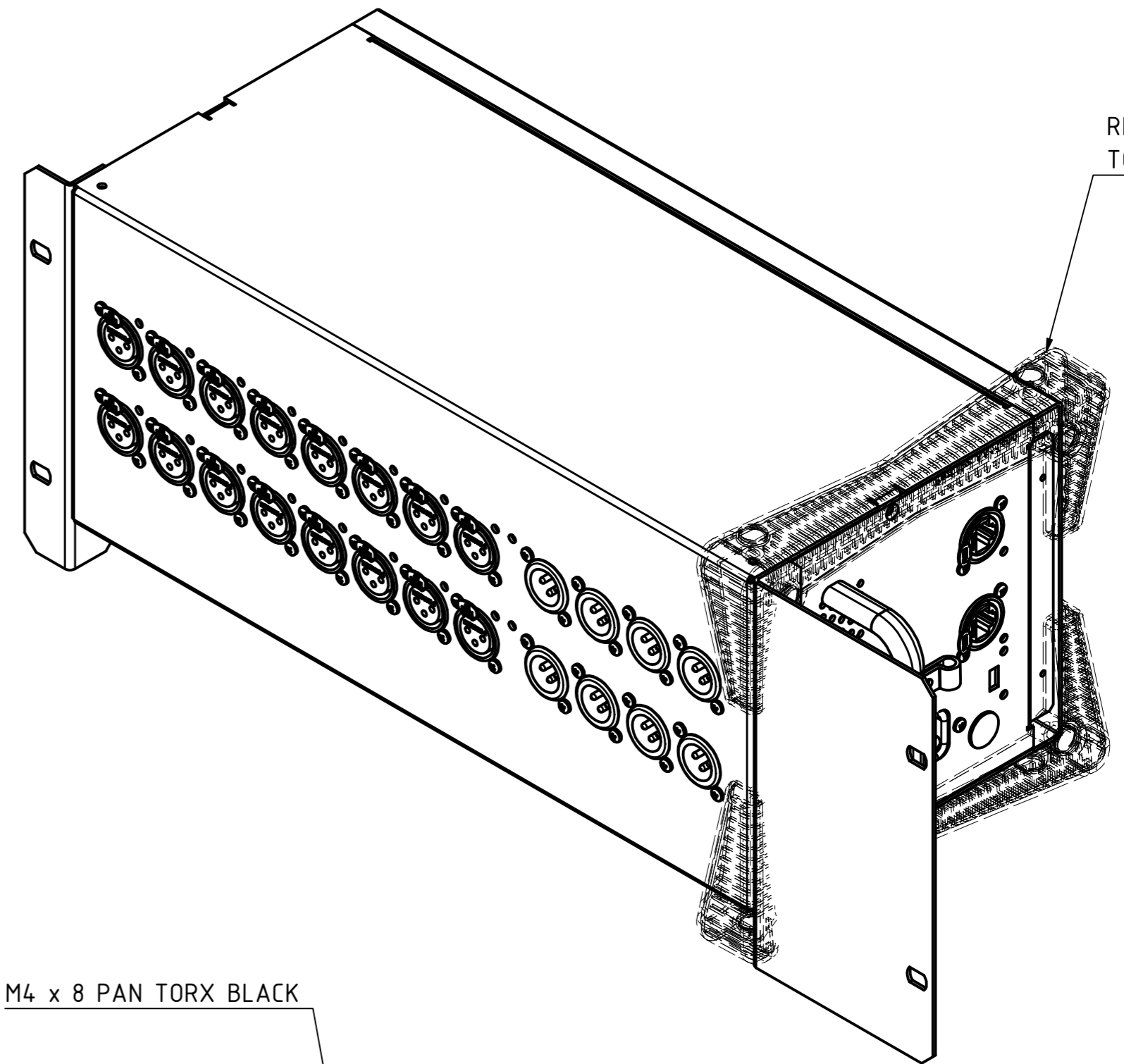
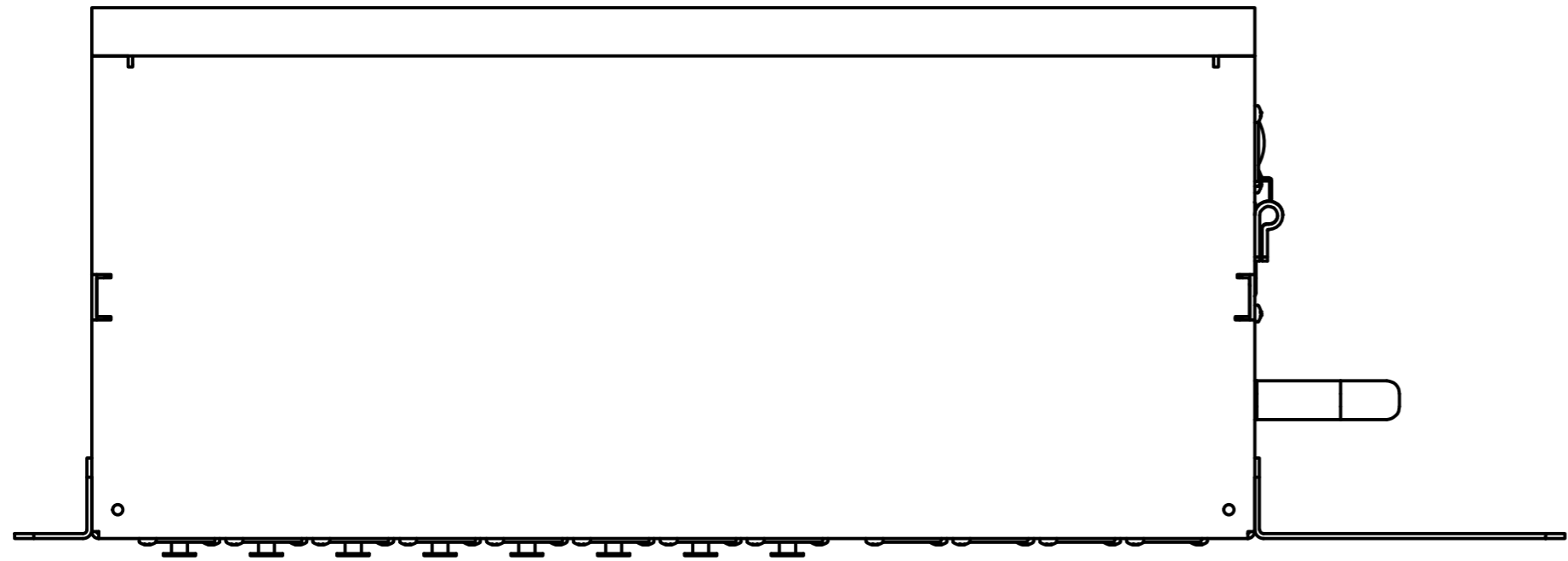


REMOVABLE BUMPERS  
USE TORX T20

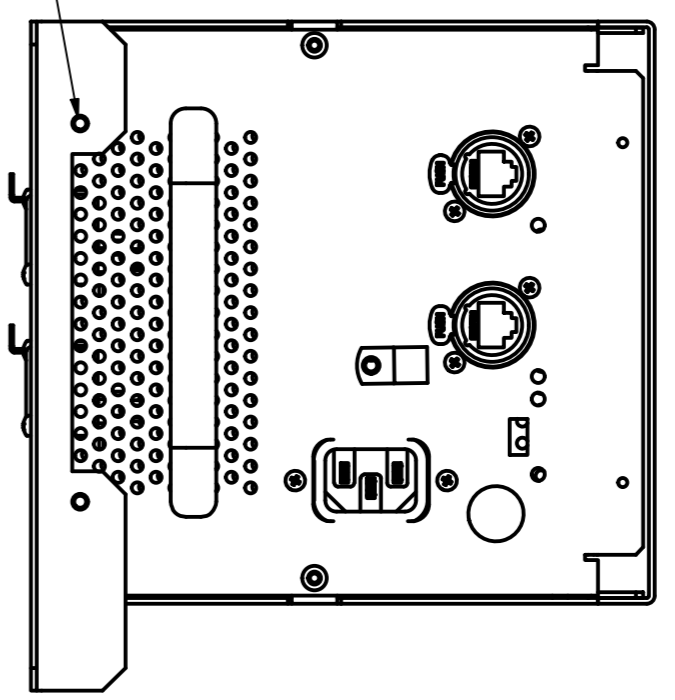


- OUTLINE DRAWING NOTES**
1. THIS IS UNCONTROLLED DOCUMENT.
  2. DIMENSION CORRECT AT TIME OF PUBLICATION.
  3. GRAPHICAL DETAILS REPRESENTATIVE ONLY.

DESIGN STATE Released	INSPECTION N/A	WEB LINK: COMPANY: DIGICO	PART INTERFACES WITH: N/A
STATUS: PROTOTYPE	IF IN DOUBT ASK! DO NOT SCALE	DIGICO STOCK NUMBER:	MATERIAL REF: N/A
MFG. APP. BY	ENG. APP. BY	DRAWN BY: R. Jowitz	MATERIAL DESCRIPTION: N/A
MFG. APP. DATE	ENG. APP. DATE	DATE: 25/04/2018	FINISH REF: N/A
SUBJECT ASSEMBLY		CHECKED:	FINISH DESCRIPTION N/A
CATEGORY		DATE:	TITLE: <b>A168 STAGE MAIN ASSEMBLY OUTLINE</b>
UNLESS STATED DIMENSIONS IN MILLIMETERS TOLERANCES UNLESS STATED		FIRST USED ON: N/A	MOD RECORD
DIMENSION NO DECIMAL +0.50 ONE DECIMAL +0.20 TWO DECIMAL +0.10 ANGULAR ±30		PRODUCT: A168 STAGE	EST MASS: N/A
LIMITS APPLY AFTER FINISHING, UNLESS STATED OTHERWISE MACHINED WHERE MARKED THIS: ✓ REMOVE ALL BURRS AND SHARP EDGES		PART NUMBER: 188-00093	SCALE: 1 : 2
COPYRIGHT THIS DRAWING IS THE PROPERTY OF DIGICO (UK) LTD. THE INFORMATION IS CONFIDENTIAL & MAY NOT BE USED WITHOUT PRIOR WRITTEN CONSENT OF DIGICO (UK) LTD. THE CONTENTS DETAINED ARE CORRECT AT THE TIME OF PUBLICATION AS AN INNOVATIVE DESIGN MANUFACTURER DIGICO (UK) LTD. RESERVES THE RIGHT TO MAKE CHANGES WITHOUT NOTICE IN OURS SA TERMS SPECIFICATION AND MODELS. DIGICO AND SOUNDTRACS ARE REGISTERED TRADEMARKS.		DEVELOPMENT CODE: INSTALL	SHEET 1 OF 2
DIGICO SOLUTIONS SOUNDTRACS DIGIRid		SIZE A2 0L	ISSUE 2



M4 x 8 PAN TORX BLACK



DESIGN STATE Released	3rd	IF IN DOUBT ASK! DO NOT SCALE	WEB LINK: COMPANY: DIGICO	PART INTERFACES WITH: N/A	
STATUS: PROTOTYPE	INSPECTION N/A	DWG FILE NUMBER:	DRAWN BY: R. Jowitz	MATERIAL REF:	MATL. SIZE: N/A
MFG. APP. BY	MFG. APP. DATE	ENG. APP. BY	ENG. APP. DATE	DATE: 25/04/2018	FINISH REF:
SUBJECT ASSEMBLY			CHECKED:	FINISH DESCRIPTION N/A	TITLE: A168 STAGE MAIN ASSEMBLY OUTLINE
CATEGORY			DATE:	PRODUCT: A168 STAGE	MOD RECORD
UNLESS STATED DIMENSIONS IN MILLIMETERS TOLERANCES UNLESS STATED			FIRST USED ON: N/A	PART NUMBER: 188-00093	EST MASS: N/A
DIMENSION NO DECIMAL $\pm 0.50$ ONE DECIMAL $\pm 0.20$ TWO DECIMAL $\pm 0.10$ ANGULAR $\pm 30'$			HOLE UP TO $\varnothing 6$ $\pm 0.1-0$ $\varnothing 6$ TO $12$ $\pm 0.2-0$ $\varnothing 12$ TO $24$ $\pm 0.3-0$ ABOVE $\varnothing 24$ AS STATED	DEVELOPMENT CODE: INSTALL	SCALE: 1 : 2
LIMITS APPLY AFTER FINISHING, UNLESS STATED OTHERWISE			REMOVE ALL BURRS AND SHARP EDGES	SIZE A2 OL	ISSUE 2
COPYRIGHT THIS DRAWING IS THE PROPERTY OF DIGICO (UK) LTD. THE INFORMATION IS CONFIDENTIAL & MAY NOT BE USED WITHOUT PRIOR WRITTEN CONSENT OF DIGICO (UK) LTD. THE CONTENTS DETAINED ARE CORRECT AT THE TIME OF PUBLICATION AS AN INNOVATIVE DESIGN MANUFACTURER DIGICO (UK) LTD. RESERVES THE RIGHT TO MAKE CHANGES WITHOUT NOTICE IN OUR COURSE OF BUSINESS. SPECIFICATION AND MODELS DIGICO AND SOUNDTRACS ARE REGISTERED TRADEMARKS.			© 2017 DIGICO	DRAWING NUMBER: 188-00093	SHEET 2 OF 2