

# DMI-KLANG

## KEY FEATURES

The DiGiCo DMI-KLANG is an option card to process immersive KLANG mixes for selected DiGiCo products. The DMI-KLANG provides 16 immersive mixes with 64 inputs at 48kHz or 96kHz.

- 16 immersive mixes
- 64 inputs
- 2 Ethercon ports
- 1 RJ45 port
- 0.25ms Latency
- 48kHz or 96kHz



## CONNECTIONS

- 2 x EtherCon ports
- 1 x RJ45 port
- 1 x USB port

## SIGNAL PROCESSING

- 16 immersive in-ear mixes
- 64 input channels

## OPTIONS

Compatible With: Quantum Range / SD12 / Orange Box

## DiGiCo Multichannel Interface

DiGiCo DMI cards are perfect for expanding your console I/O, providing interfaces with industry formats be it Analogue expansion, MADI, Dante, Waves Soundgrid or Calrec's Hydra 2 Network.

All bases are covered

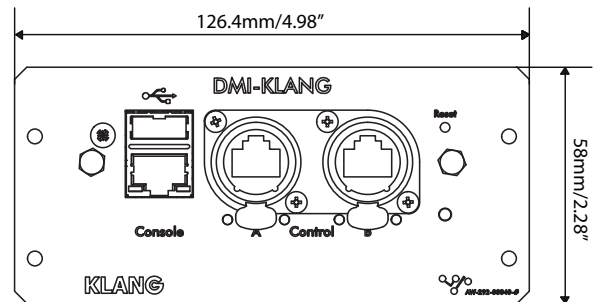
## A&E SPECIFICATION

The DiGiCo DMI-KLANG shall provide ultra low latency processing for up to 16 immersive KLANG mixes with 64 inputs at 48kHz or 96kHz.

The front plate of the DMI-KLANG shall have two EtherCON ports and one RJ45 port that shall be switched together, allowing connection to the console network port and computers/tablets running the KLANG:app. There shall also be a USB port for software updates and preset exchange.

The dimensions of the DMI-KLANG shall be: 126.4 (w) x 176.3 (d) x 58 (h) mm

The weight of the DMI-KLANG shall be: 265g



### PHYSICAL

Dimensions: 126.4mm (w) x 176.3mm (d) x 58mm (h)

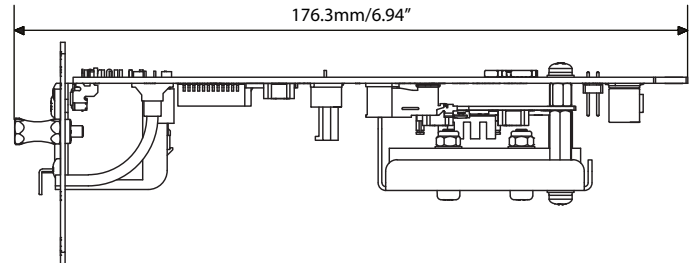
Weight: 265g

Product Code: MOD-DMI-KLANG

### AUDIO SPECIFICATIONS

Sample Rate: 48kHz or 96kHz

Latency: 0.25ms



### DiGiCo HQ

Unit 10 Silverglade Business Park Leatherhead Road, Chessington,  
Surrey, KT9 2QL, United Kingdom  
info@digiconsoles.com

©DiGiCo 2019. All brand and product names are copyright to their respective owners  
E&OE

[www.digico.biz](http://www.digico.biz)

 **DiGiCo**  
[www.digico.biz](http://www.digico.biz)