



DATASHEET

DMI-WAVES

KEY FEATURES

The DiGiCo DMI-WAVES is an option card to expand the I/O of selected DiGiCo products. The DMI-WAVES provides 64 inputs and 64 outputs to the SoundGrid network at either 48kHz or 96kHz.

- 64 inputs and 64 outputs at 48kHz and 96kHz
- 2 EtherCON ports
- Network ports connected via an inbuilt switch



CONNECTIONS

2 x EtherCON ports

SIGNAL PROCESSING

64 Inputs and 64 Outputs at 48kHz and 96kHz

OPTIONS

Compatible With: S-Series / SD12 / Quantum Range / Orange Box / 4REA4

DiGiCo Multichannel Interface

DiGiCo DMI cards are perfect for expanding your console I/O, providing interfaces with industry formats be it Analogue expansion, MADI, Dante, Waves Soundgrid or Calrec's Hydra 2 Network.

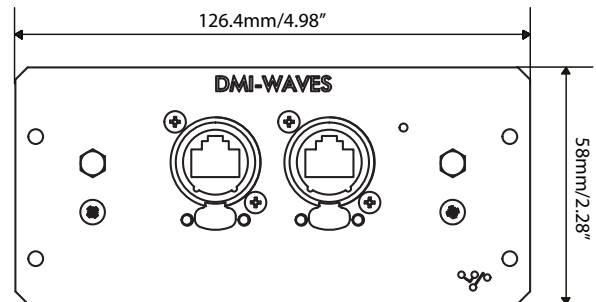
All bases are covered

A&E SPECIFICATION

The DiGiCo DMI-WAVES shall allow 64 inputs and 64 outputs at 48kHz or 96kHz to the SoundGrid Network.

The front plate of the DMI-WAVES shall have two EtherCON ports. These two ports shall be switched together with an inbuilt network switch.

The dimensions of the DMI-WAVES shall be: 126.4 (w) x 176.3 (d) x 58 (h) mm
The weight of the DMI-WAVES shall be: 236g

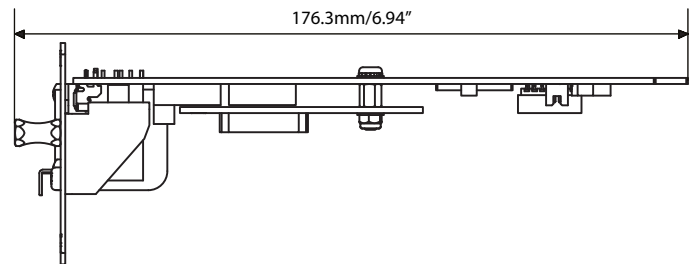


PHYSICAL

Dimensions: 126.4mm (w) x 176.3mm (d) x 58mm (h)

Weight: 236g

Product Code: MOD-DMI-WAVES



AUDIO SPECIFICATIONS

Sample Rate: 48kHz or 96kHz

DiGiCo HQ

Unit 10 Silverglade Business Park Leatherhead Road, Chessington,
Surrey, KT9 2QL, United Kingdom
info@digiconsoles.com

©DiGiCo 2019. All brand and product names are copyright to their respective owners
E&OE

www.digico.biz

 **DiGiCo**
www.digico.biz