



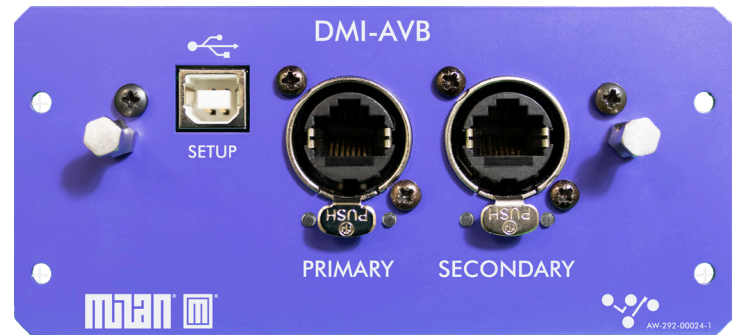
## DATASHEET

# DMI-AVB

## KEY FEATURES

The DiGiCo DMI-AVB is an option card to expand the I/O of selected DiGiCo products. The DMI-AVB provides 64 inputs and 64 outputs at both 48kHz and 96kHz.

- 64 inputs and 64 outputs at 48kHz and 96kHz
- 1 USB-B port
- 2 Ethercon ports
- Two port modes - redundant and bridged
- Milan Certified



## CONNECTIONS

- 1 x USB-B port
- 2 x Ethercon ports

## SIGNAL PROCESSING

- 64 Inputs and 64 Outputs at 48kHz and 96kHz
- Redundant and Bridged port mode

## OPTIONS

- Compatible With: SD12 / Quantum Range / Orange Box

## DiGiCo Multichannel Interface

DiGiCo DMI cards are perfect for expanding your console I/O, providing interfaces with industry formats be it Analogue expansion, MADI, Dante, Waves Soundgrid or Calrec's Hydra 2 Network.

All bases are covered

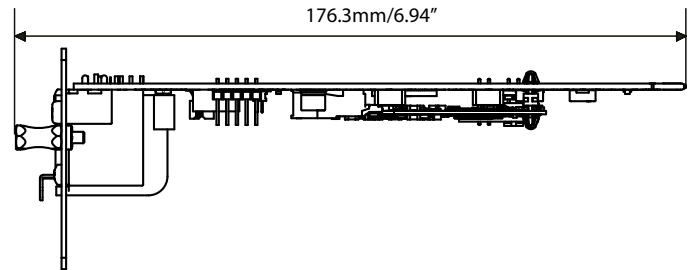
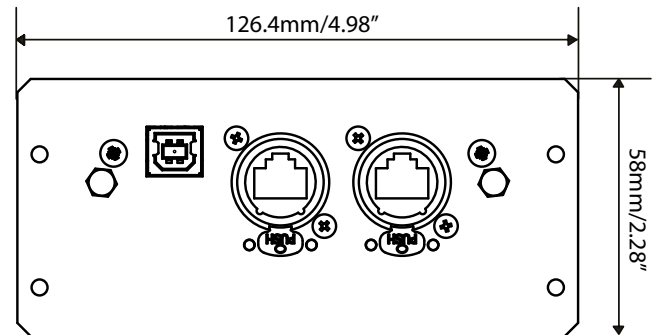
## A&E SPECIFICATION

The DiGiCo DMI-AVB shall allow 64 inputs and 64 outputs at both 48kHz and 96kHz. It shall allow 8 streams, each of 8 channels. The front plate of the DMI-AVB shall have one USB-B port and two Ethernet ports. There shall be two modes that the Ethernet ports can use. In Redundant mode, the Primary port shall work as a redundant pair with the Secondary port. In Bridged mode, the two ethernet ports shall be switched together. The user shall be able to change the mode from the console software or Orange Box Controller. The card shall be able to operate at 48kHz, 96kHz or Mixed Mode.

The DMI-AVB shall be Milan certified.

The dimensions of the DMI-AVB shall be: 126.4 (w) x 176.3 (d) x 58 (h) mm

The weight of the DMI-AVB shall be: 210g



### PHYSICAL

Dimensions: 126.4mm (w) x 176.3mm (d) x 58mm (h)

Weight: 210g

Product Code: MOD-DMI-AVB

### AUDIO SPECIFICATIONS

Sample Rate: 48kHz or 96kHz

#### DiGiCo HQ

No5 The Distillery, Silverglade Business Park Leatherhead Road,  
Chessington, Surrey, KT9 2QL, United Kingdom  
info@digiconsoles.com

©DiGiCo 2023. All brand and product names are copyright to their respective owners  
E&OE